

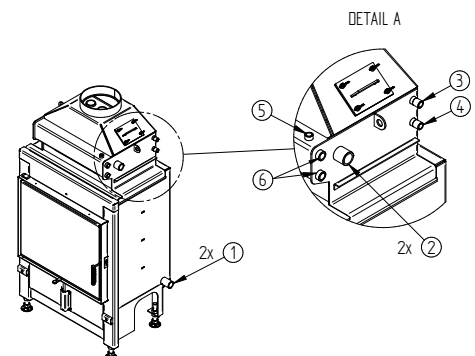
# HAKA 63/51W

## Technical data

	operation when directly connected to chimney	
	HAKA 63/51W	HAKA 63/51WI
Energy label	<b>A+</b>	<b>A+</b>
<b>Operating data</b>		
Nominal heat power / Power absorbed to water	14,5 / 10 kW	14,5 / 11,3 kW
Efficiency	> 80 %	> 80 %
Consumption of wood	4 kg/h	4 kg/h
Mass flow of flue gas	13 g/s	13 g/s
Required chimney pressure	12 Pa	12 Pa
Required amount of combustion air	35 m <sup>3</sup> /h	35 m <sup>3</sup> /h
<b>Average flue gas temperature</b>		
on the output	225 °C	225 °C
<b>Heat distribution</b>		
fireplace insert	18 %	8 %
door glass (single / double)	0 / 17 %	0 / 17 %
water	65 %	75 %
<b>Water exchanger specifications</b>		
Maximum working pressure	2,5 bar	2,5 bar
Minimum return water temperature	60 °C	60 °C
Water capacity	60 liters	60 liters
Connection input / output	1" / 1"	1" / 1"
<b>Information for builds</b>		
Minimal grill area supply / outgoing (with vent. grill)	350 / 400 cm <sup>2</sup>	300 / 350 cm <sup>2</sup>
Minimum radiant area <sup>3</sup> (without vent. grill)	suitable	suitable
Minimum distance from insulated areas / floor	40 / 0 mm	20 / 0 mm
Reference insulation <sup>1</sup> ceiling / back wall / side wall / floor	100 / 60 / 60 / 0 mm	80 / 40 / 40 / 0 mm
Calciumsilicate insulation <sup>2</sup> ceiling / back wall / side wall / floor	75 / 45 / 45 / 0 mm	60 / 25 / 25 / 0 mm
<b>General technical information</b>		
Total weight / lining weight	circa 322 / 96 kg	circa 330 / 96 kg
Burning chamber dimensions (width x depth)	525 x 315 mm	
Combustion air connection	Ø 125 mm	
Use in non-ventilated accumulation builds according to craft rules	suitable <sup>4</sup>	
Tested according to	EN 13229 / EN 16510 (from November 2025)	
Meets values	1. BImSchV (Stufe2), 15a BVG	

## HAKA 63/51W

Nr.	Thread size	Description
1	G 1" (AG)	Water supply from heating system - min. 60°C
2	G 1" (AG)	Hot water supply to heating system
3	G 1/2" (AG)	Water supply from the waterlines into the cooling loop
4	G 1/2" (AG)	Discharge of water from the cooling loop into the waste
5	G 3/8" (IG)	Pocket for air vent valve
6	G 1/2" (IG)	Pocket for thermal sensors



1 Mineral wool according to AGI-Q 132

2 Example SkamoEnclosure Board 225 kg/m<sup>3</sup>

3 Depends on accumulation period and material characteristics. Listed values calculated with average specific heat output = approx. 500 W/m<sup>2</sup>

4 With regard to the inspection capability and maximum ambient temperatures of the external switching devices (e.g. TAS/SV)

# HAKA 63/51W

## Technical data

	operation when directly connected to chimney	
	HAKA 63/51W+	HAKA 63/51WI+
Energy label	<b>A+</b>	<b>A+</b>
<b>Operating data</b>		
Nominal heat power / Power absorbed to water	22 / 13,2 kW	22 / 17,2 kW
Efficiency	> 80 %	> 80 %
Consumption of wood	6 kg/h	6 kg/h
Mass flow of flue gas	17 g/s	17 g/s
Required chimney pressure	12 Pa	12 Pa
Required amount of combustion air	55 m <sup>3</sup> /h	55 m <sup>3</sup> /h
<b>Average flue gas temperature</b>		
on the output	250 °C	250 °C
<b>Heat distribution</b>		
fireplace insert	20 %	10 %
door glass (single / double)	0 / 20 %	0 / 20 %
water	60 %	70 %
<b>Water exchanger specifications</b>		
Maximum working pressure	2,5 bar	2,5 bar
Minimum return water temperature	60 °C	60 °C
Water capacity	60 liters	60 liters
Connection input / output	1,5 / 1,5 Zoll	1,5 / 1,5 Zoll
<b>Information for builds</b>		
Minimal grill area supply / outgoing (with vent. grill)	600 / 700 cm <sup>2</sup>	500 / 600 cm <sup>2</sup>
Minimum radiant area <sup>3</sup> (without vent. grill)	suitable	suitable
Minimum distance from insulated areas / floor	40 / 0 mm	20 / 0 mm
Reference insulation <sup>1</sup> ceiling / back wall / side wall / floor	80 / 40 / 40 / 0 mm	80 / 40 / 40 / 0 mm
Calciumsilicate insulation <sup>2</sup> ceiling / back wall / side wall / floor	60 / 25 / 25 / 0 mm	60 / 25 / 25 / 0 mm
<b>General technical information</b>		
Total weight / lining weight	circa 322 / 96 kg	circa 330 / 96 kg
Burning chamber dimensions (width x depth)	525 x 315 mm	
Combustion air connection	Ø 150 mm	
Use in non-ventilated accumulation builds according to craft rules	suitable <sup>4</sup>	
Tested according to	EN 13229 / EN 16510 (from November 2025)	
Meets values	1. BlmSchV (Stufe2), 15a BVG	

1 Mineral wool according to AGI-Q 132

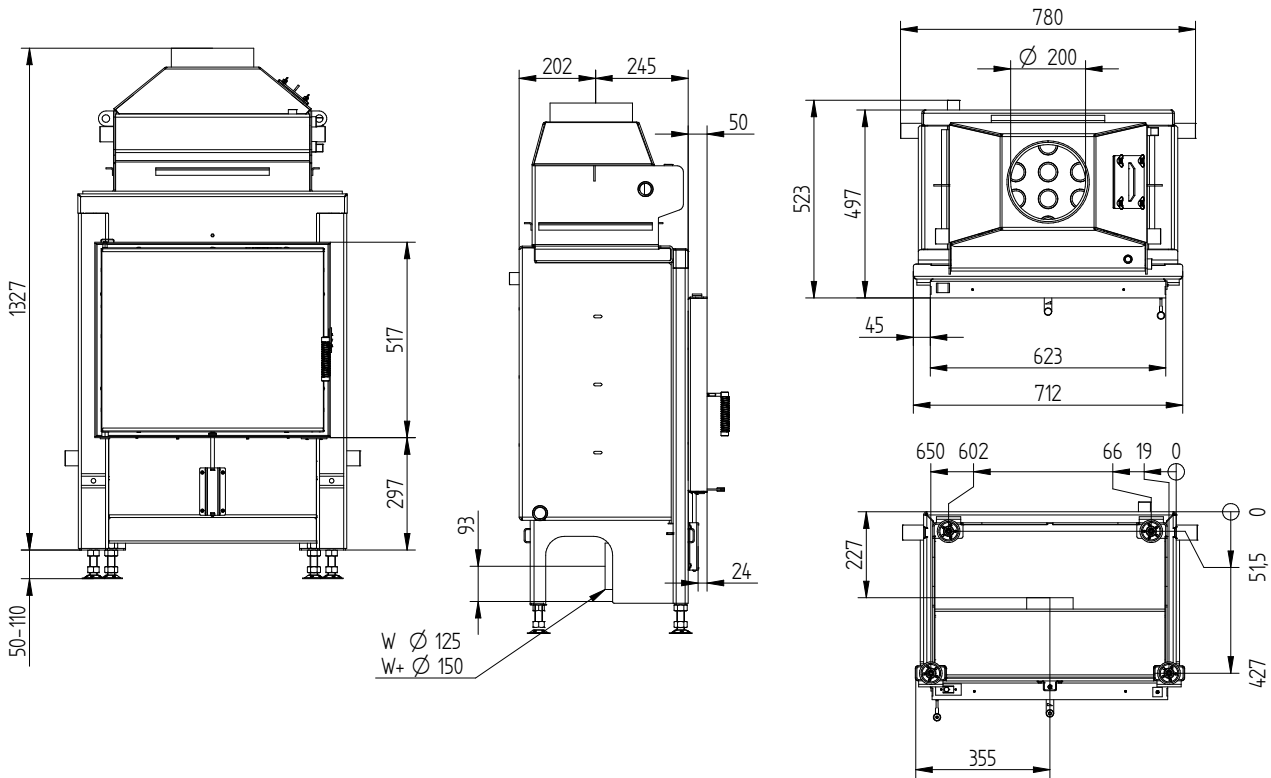
2 Example SkamoEnclosure Board 225 kg/m<sup>3</sup>

3 Depends on accumulation period and material characteristics. Listed values calculated with average specific heat output = approx. 500 W/m<sup>2</sup>

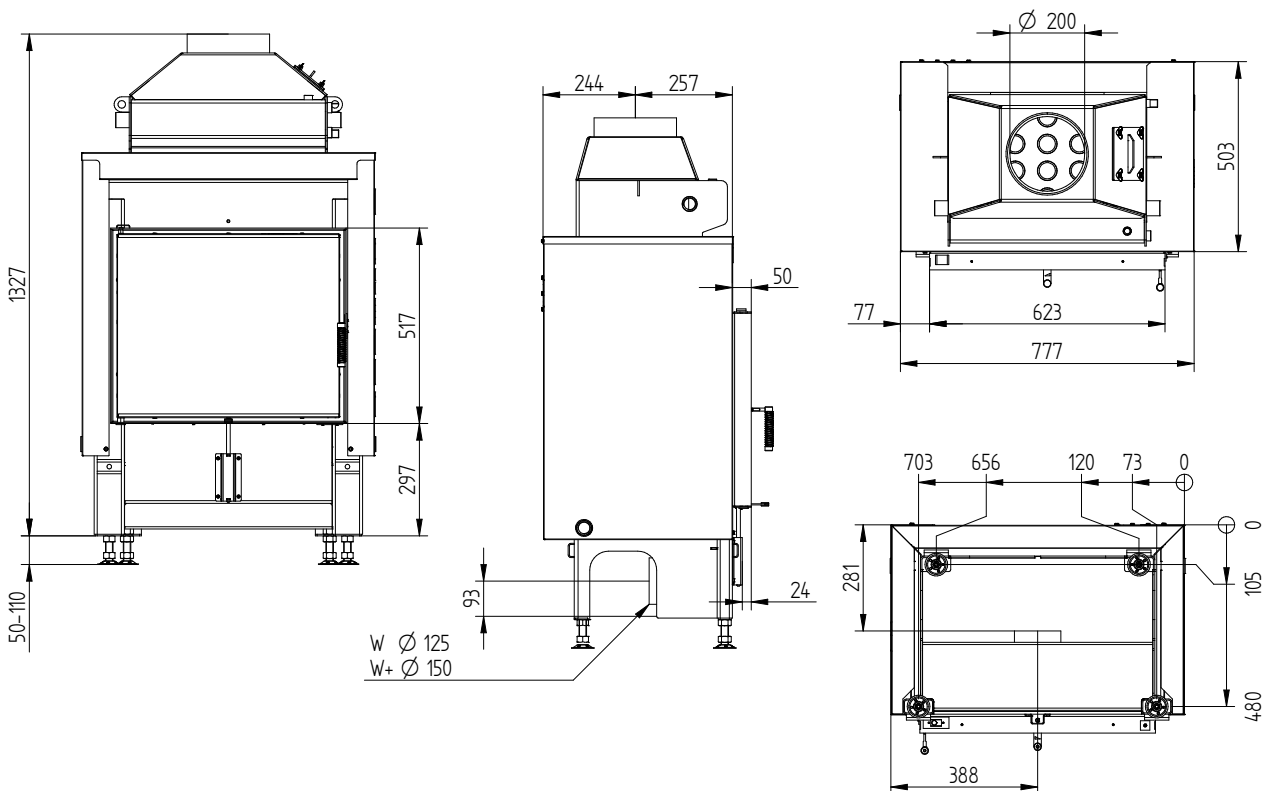
4 With regard to the inspection capability and maximum ambient temperatures of the external switching devices (e.g. TAS/SV)

# HAKA 63/51W

HAKA 63/51W, HAKA 63/51W extra power+ / air inlet / feet

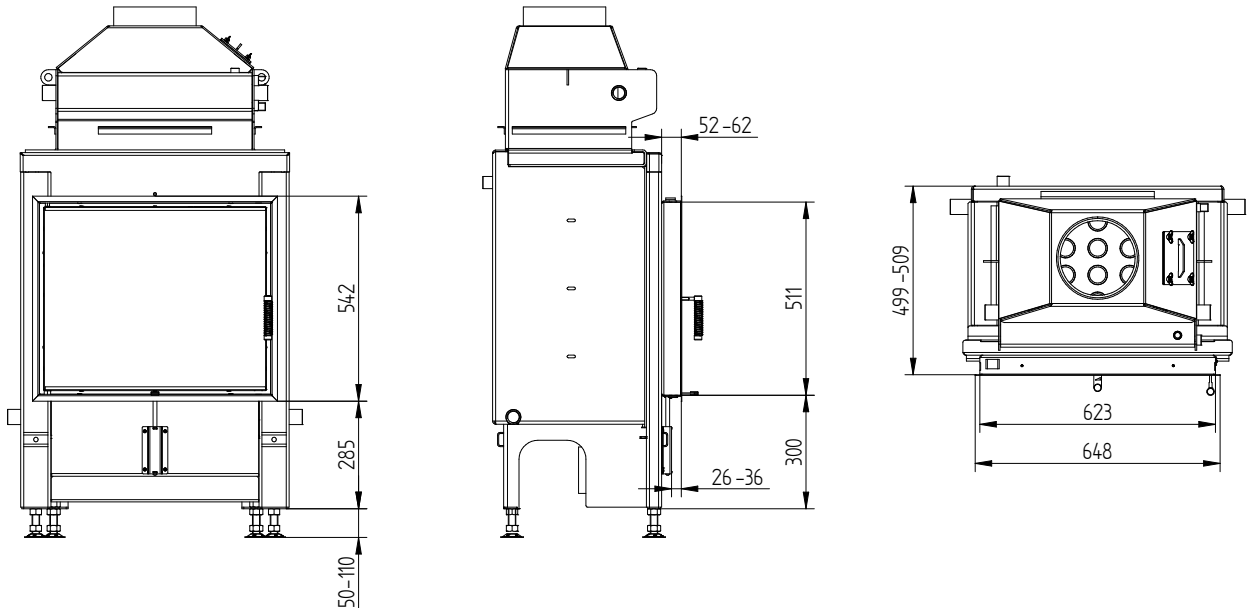


HAKA 63/51WI insulation, HAKA 63/51WI insulation extra power+ / air inlet / feet



# HAKA 63/51W

Cover frame 63/51 4sides 50 mm 1 x 90°



Cover frame 63/51 4sides 80 mm 2 x 45°

