

Technical data

	operation when directly connected to chimney		operation when connected accumulation mass		
	cupola	hot air exchanger	cupola	adaptor	
Energy label	A+	A+	A+	A+	
Operating data					
Nominal heat power	7 kW	11 kW	----	----	
Efficiency	> 80 %	> 80 %	----	----	
Consumption of wood	2,1 kg/h	3,2 kg/h	8 kg	5,1 kg	8 kg
Total heat output of the burning chamber	----	----	30 kW	20 kW	30 kW
Average heat output / heat accumulation time ⁵	----	----	3 kW / 8 h	2,0 kW / 8 h	3 kW / 8 h
Mass flow of flue gas	7,3 g/s	7,3 g/s	20 g/s	13,3 g/s	20 g/s
Required chimney pressure	12 Pa	12 Pa	12 Pa	15 Pa	16 Pa
Required amount of combustion air	20 m ³ /h	30 m ³ /h	70 m ³ /h	45 m ³ /h	70 m ³ /h
Average flue gas temperature					
on the output	230 °C	248 °C	500 °C	370 °C	465 °C
behind 5,1 m of ceramic accumulation system KMS 300 ¹	----	----	250 °C	----	
behind accumulation rings (5x acc. ring Ø440mm)	----	----	----	196 °C	----
behind accumulation rings (8x acc. ring Ø440mm)	----	----	----	----	250 °C
Heat distribution					
fireplace insert	62–74 %	62–74 %	37 %	33 %	
door glass (single / double)	38 / 26 %	38 / 26 %	38 / 26 %	38 / 26 %	
additional accumulation mass	----	----	25–37 %	29–41 %	
Information for ventilated builds					
Minimal grill area supply / outgoing	700 / 850 cm ²	950 / 1150 cm ²	950 / 1150 cm ²	950 / 1150 cm ²	
Minimum distance from insulated areas / floor	80 / 0 mm		80 / 0 mm		
Reference insulation ² ceiling / back wall / side wall / floor	120 / 80 / 80 / 0 mm		120 / 80 / 80 / 0 mm		
Calciumsilicate insulation ³ ceiling / back wall / side wall / floor	90 / 60 / 60 / 0 mm		90 / 60 / 60 / 0 mm		
Information for non-ventilated builds (closed grills)					
Minimum radiant area ⁴	suitable		6 m ²	6 m ²	
Minimum distance from insulated areas / floor	80 / 20 mm		80 / 20 mm		
Reference insulation ² ceiling / back wall / side wall / floor	160 / 100 / 100 / 20 mm		160 / 100 / 100 / 20 mm		
Calciumsilicate insulation ³ ceiling / back wall / side wall / floor	120 / 75 / 75 / 20 mm		120 / 75 / 75 / 20 mm		
General technical information					
Total weight / lining weight	circa 230 / 87 kg		circa 230 / 87 kg		
Burning chamber dimensions (width x depth)	540 x 305 mm				
Combustion air connection	Ø 150 mm				
Use in non-ventilated accumulation builds according to craft rules	suitable				
Tested according to	EN 13229				
Meets values	1. BImSchV (Stufe2), 15a BVG				

¹ Listed value from testing. For accurate results is evaluation of each system in the Ortner / KOV program necessary

² Mineral wool according to AGI-Q 132

³ Example SkamoEnclosure Board 225 kg/m³

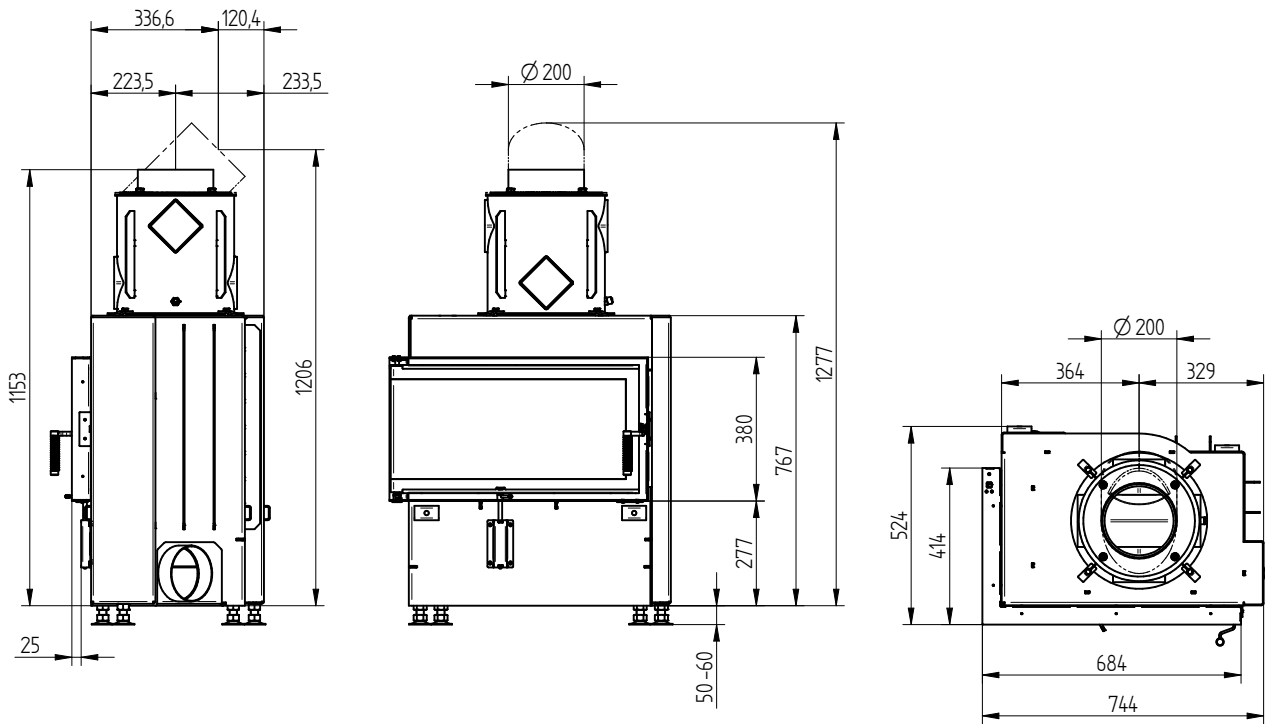
⁴ Depends on accumulation period and material characteristics. Listed values calculated with average specific heat output = approx. 500 W/m²

⁵ Storage operation, one wood charge for storage duration, with closed construction and efficiency > 80%

ECKA 70/40/38LN

Technical data
Version 09/2023

ECKA 70/40/38L left secondary burning chamber side opening hot air exchanger vertical / smoke outlet 45°



ECKA 70/40/38LN left side opening secondary burning chamber cupola



ECKA 70/40/38LN

Technical data
Version 09/2023

ECKA 70/40/38LN left side opening secondary burning chamber accumulation set

