

Technical data

	operation when directly connected to chimney		operation when connected accumulation mass	
	cupola	hot air exchanger	cupola	adaptor
Energy label	A+	A	A+	A+
Operating data				
Nominal heat power	7 kW	10 kW	----	----
Efficiency	> 80 %	> 80 %	----	----
Consumption of wood	2,2 kg/h	3 kg/h	5 kg	5 kg
Total heat output of the burning chamber	----	----	20 kW	20 kW
Average heat output / heat accumulation time ⁵	----	----	2 kW / 8 h	2 kW / 8 h
Mass flow of flue gas	6,4 g/s	9,6 g/s	15 g/s	15 g/s
Required chimney pressure	12 Pa	12 Pa	12 Pa	15 Pa
Required amount of combustion air	20 m ³ /h	30 m ³ /h	45 m ³ /h	45 m ³ /h
Average flue gas temperature				
on the output	254 °C	269 °C	394 °C	404 °C
behind 3,6 m of ceramic accumulation system KMS 300 ¹	----	----	178 °C	----
behind accumulation rings (5x acc. ring Ø440mm)	----	----	----	235 °C
Heat distribution				
fireplace insert	64–75 %	64–75 %	36 %	32 %
door glass (single / double)	36 / 25 %	36 / 25 %	36 / 25 %	36 / 25 %
additional accumulation mass	----	----	28–39 %	32–42 %
Information for ventilated builds				
Minimal grill area supply / outgoing	650 / 800 cm ²	950 / 1150 cm ²	950 / 1150 cm ²	950 / 1150 cm ²
Minimum distance from insulated areas / floor	80 / 0 mm		80 / 0 mm	
Reference insulation ² ceiling / back wall / side wall / floor	120 / 80 / 80 / 0 mm		120 / 80 / 80 / 0 mm	
Calciumsilicate insulation ³ ceiling / back wall / side wall / floor	90 / 60 / 60 / 0 mm		90 / 60 / 60 / 0 mm	
Information for non-ventilated builds (closed grills)				
Minimum radiant area ⁴	suitable		4 m ²	
Minimum distance from insulated areas / floor	80 / 20 mm		80 / 20 mm	
Reference insulation ² ceiling / back wall / side wall / floor	160 / 100 / 100 / 20 mm		160 / 100 / 100 / 20 mm	
Calciumsilicate insulation ³ ceiling / back wall / side wall / floor	120 / 75 / 75 / 20 mm		120 / 75 / 75 / 20 mm	
General technical information				
Total weight / lining weight	circa 186 / 67 kg		circa 186 / 67 kg	
Burning chamber dimensions (width x depth)	355 x 355 mm			
Combustion air connection	Ø 125 mm			
Use in non-ventilated accumulation builds according to craft rules	suitable			
Tested according to	EN 13229			
Meets values	1. BImSchV (Stufe2), 15a BVG			

1 Listed value from testing. For accurate results is evaluation of each system in the Ortner / KOV program necessary

2 Mineral wool according to AGI-Q 132

3 Example SkamoEnclosure Board 225 kg/m³

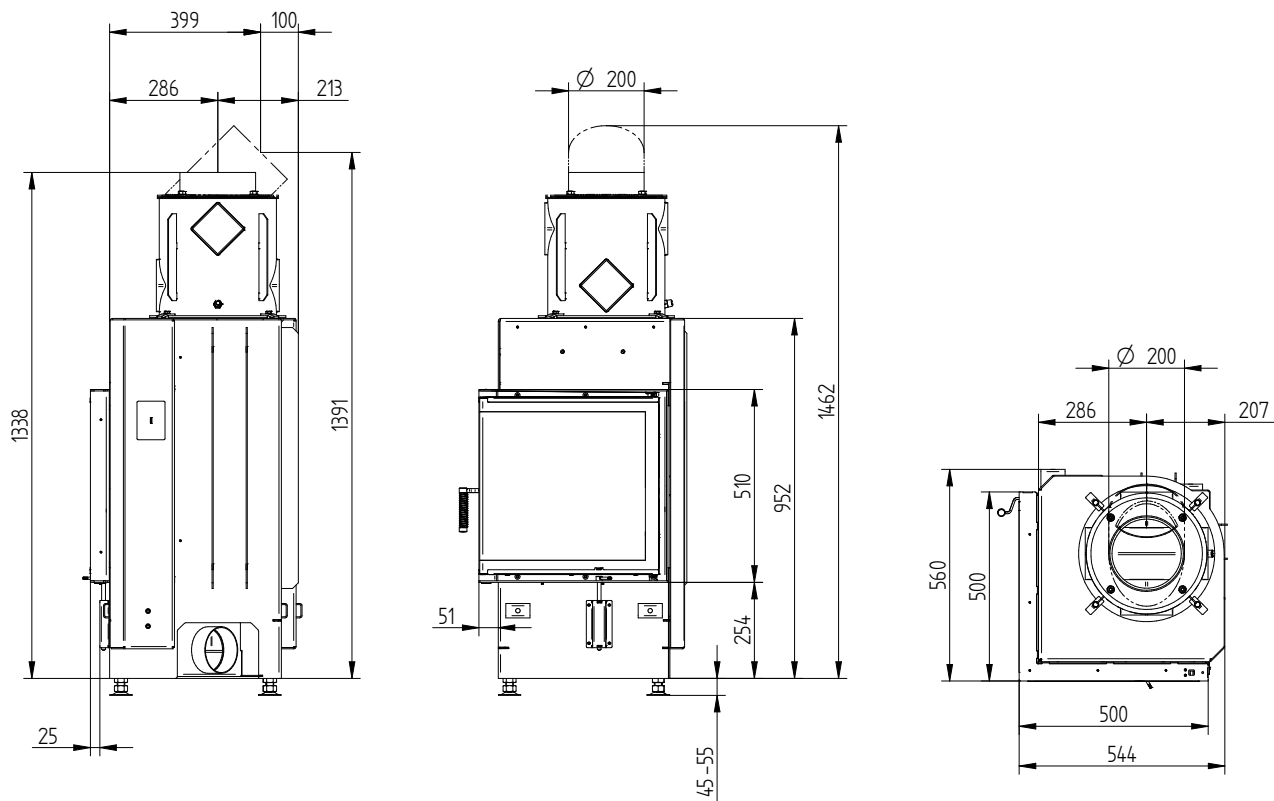
4 Depends on accumulation period and material characteristics. Listed values calculated with average specific heat output = approx. 500 W/m²

5 Storage operation, one wood charge for storage duration, with closed construction and efficiency > 80%

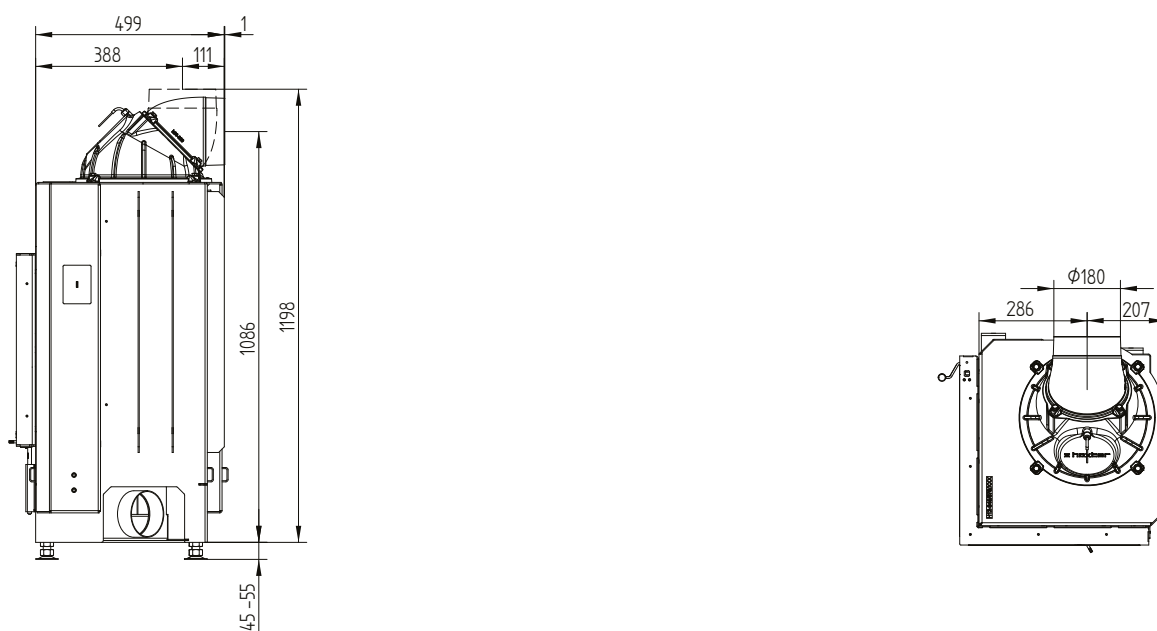
ECKA 51/51/51R

Technical data
Version 09/2023

ECKA 51/51/51R right side opening hot air exchanger vertical / smoke outlet 45°



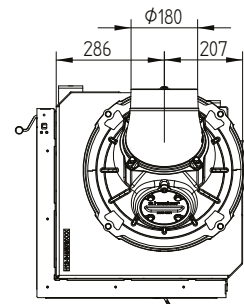
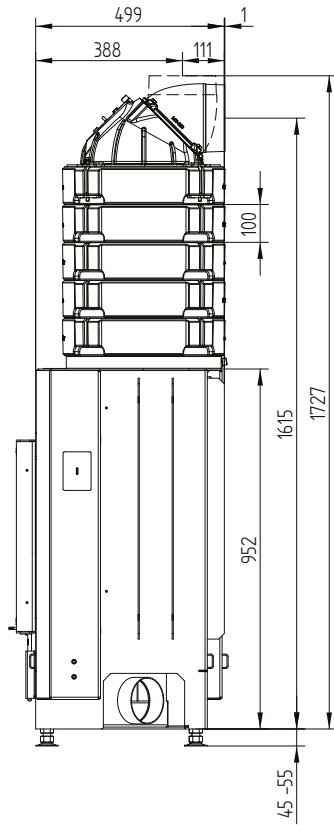
ECKA 51/51/51R right side opening cupola



ECKA 51/51/51R

Technical data
Version 09/2023

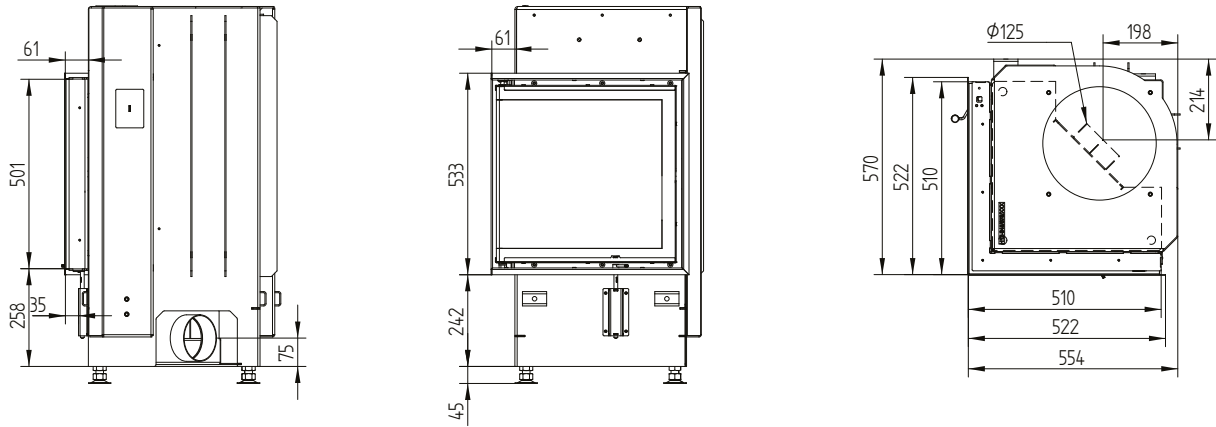
ECKA 51/51/51R right side opening accumulation set



ECKA 51/51/51R

Technical data
Version 09/2023

Cover frame 51/51/51 left-right side opening 6sides 60 mm 1 x 90° / air inlet



Build-on frame 51/51/51R right side opening 6sides 80 mm / feet

