

Technical data	operation when directly connected to chimney		operation when connected accumulation mass	
	A		A	
Energy label	A		A	
Operating data				
Nominal heat power	5,9 kW		----	
Efficiency	> 80 %		----	
Consumption of wood	1,9 kg/h		4,5 kg / 3,1 kg	
Total heat output of the burning chamber	----		18 kW / 12 kW	
Average heat output / heat accumulation time ⁵	----		1,8 kW / 8 h / 1,2 kW / 8 h	
Mass flow of flue gas	5,4 g/s		15 g/s / 11 g/s	
Required chimney pressure	12 Pa		12 Pa / 15 Pa	
Required amount of combustion air	20 m ³ /h		40 m ³ /h / 30 m ³ /h	
Average flue gas temperature				
on the output	245 °C		395 °C / 330 °C	
behind 3,2 m of ceramic accumulation system KMS 240 ¹	----		162 °C / ----	
behind S-accumulation rings (5x S-acc. ring Ø345mm)	----		---- / 210 °C	
Heat distribution				
fireplace insert	64–75 %		35 % / 35 %	
door glass (single / double)	36 / 25 %		36 / 25 % / 36 / 25 %	
additional accumulation mass	----		29–40 % / 29–40 %	
Information for ventilated builds				
Minimal grill area supply / outgoing	600 / 700 cm ²		600 / 700 cm ² / 600 / 700 cm ²	
Minimum distance from insulated areas / floor	80 / 0 mm		80 / 0 mm	
Reference insulation ² ceiling / back wall / side wall / floor	120 / 80 / 80 / 0 mm		120 / 80 / 80 / 0 mm	
Calciumsilicate insulation ³ ceiling / back wall / side wall / floor	90 / 60 / 60 / 0 mm		90 / 60 / 60 / 0 mm	
Information for non-ventilated builds (closed grills)				
Minimum radiant area ⁴	suitable		4 m ²	
Minimum distance from insulated areas / floor	80 / 20 mm		80 / 20 mm	
Reference insulation ² ceiling / back wall / side wall / floor	160 / 100 / 100 / 20 mm		160 / 100 / 100 / 20 mm	
Calciumsilicate insulation ³ ceiling / back wall / side wall / floor	120 / 75 / 75 / 20 mm		120 / 75 / 75 / 20 mm	
General technical information				
Total weight / lining weight	circa 135 / 45 kg		circa 135 / 45 kg	
Burning chamber dimensions (width x depth)	355 x 205 mm			
Combustion air connection	Ø 125 mm			
Use in non-ventilated accumulation builds according to craft rules	suitable			
Tested according to	EN 13229			
Meets values	1. BlmSchV (Stufe2), 15a BvG, NS 3059			

1 Listed value from testing. For accurate results is evaluation of each system in the Ortnr / KOV program necessary

2 Mineral wool according to AGI-Q 132

3 Example SkamoEnclosure Board 225 kg/m³

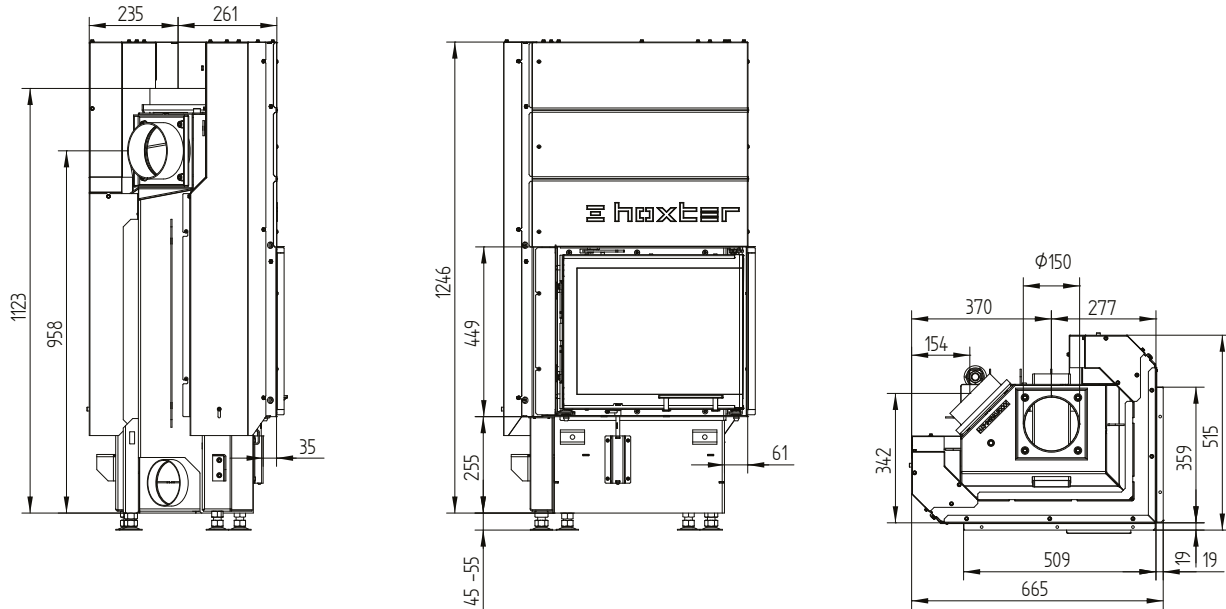
4 Depends on accumulation period and material characteristics. Listed values calculated with average specific heat output = approx. 500 W/m²

5 Storage operation, one wood charge for storage duration, with closed construction and efficiency > 80%

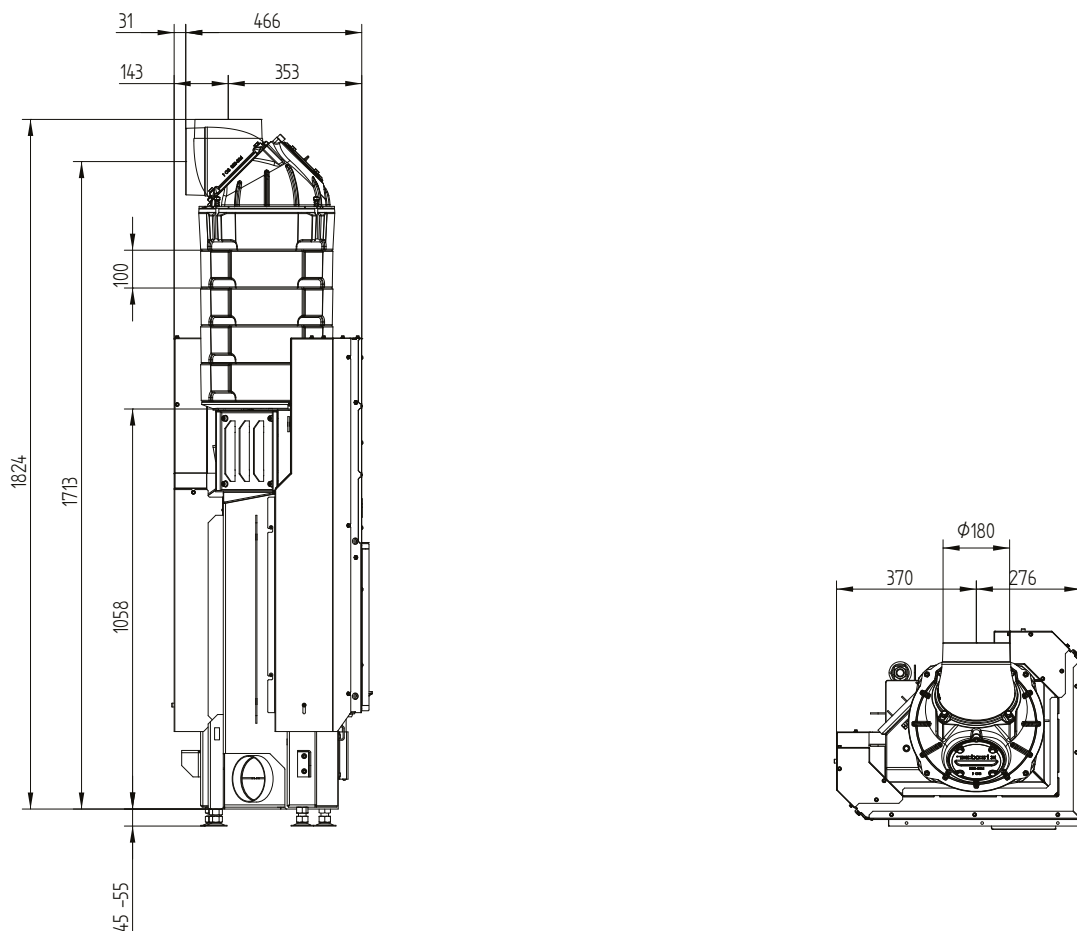
ECKA 50/35/45Rh

Technical data
Version 09/2023

ECKA 50/35/45Rh right liftdoor



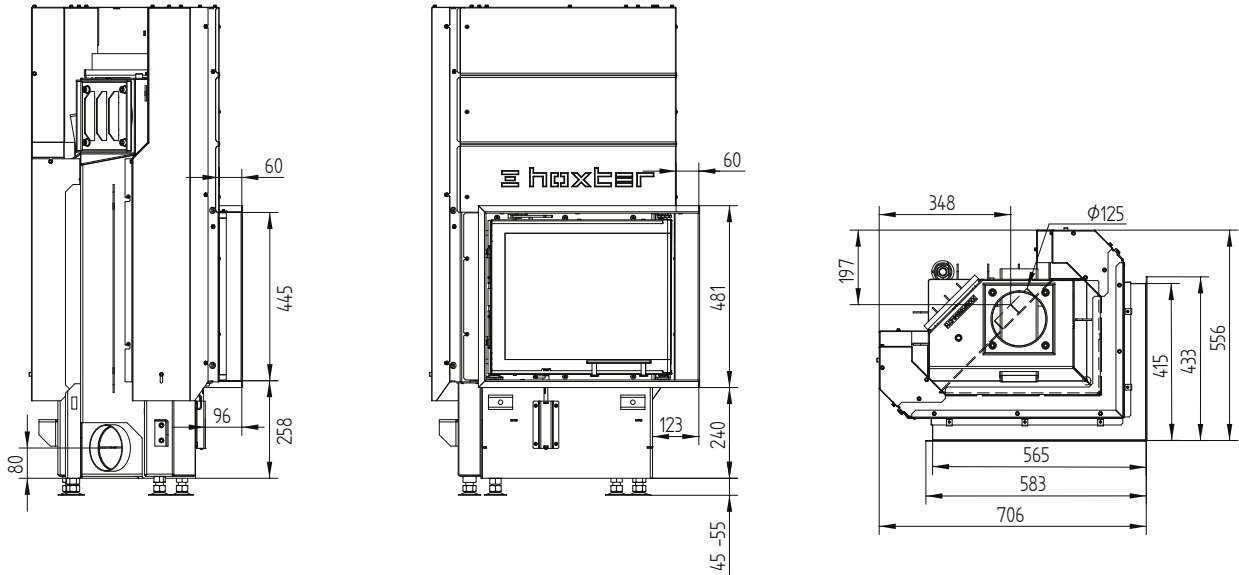
ECKA 50/35/45Rh right liftdoor



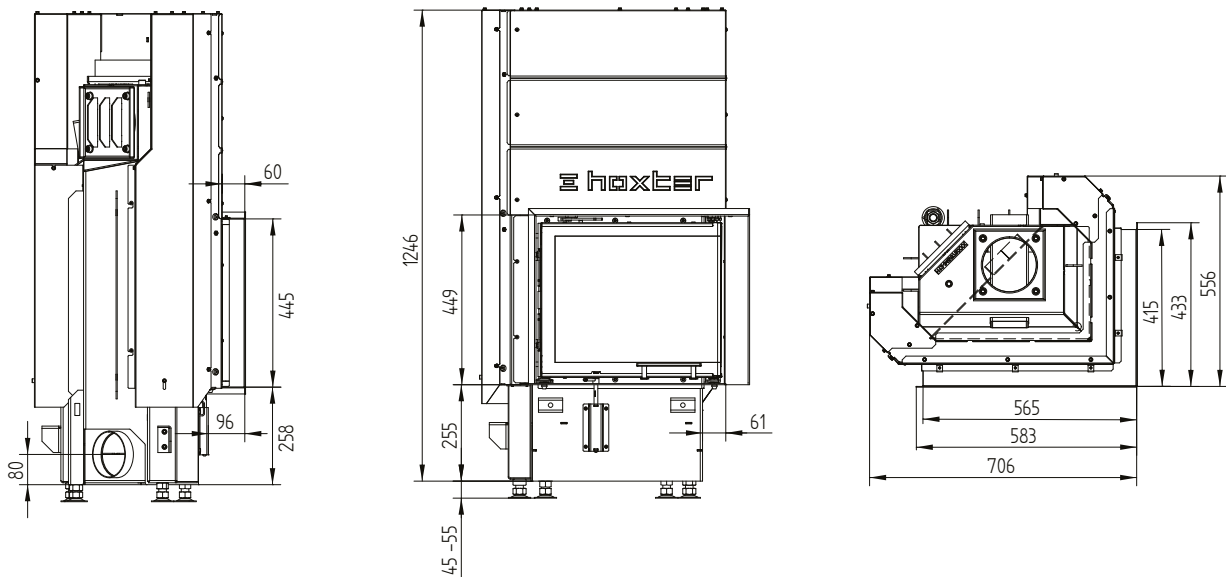
ECKA 50/35/45Rh

Technical data
Version 09/2023

Cover frame 50/35/45Rh right liftdoor 6sides 60 mm 1 x 90° / air inlet



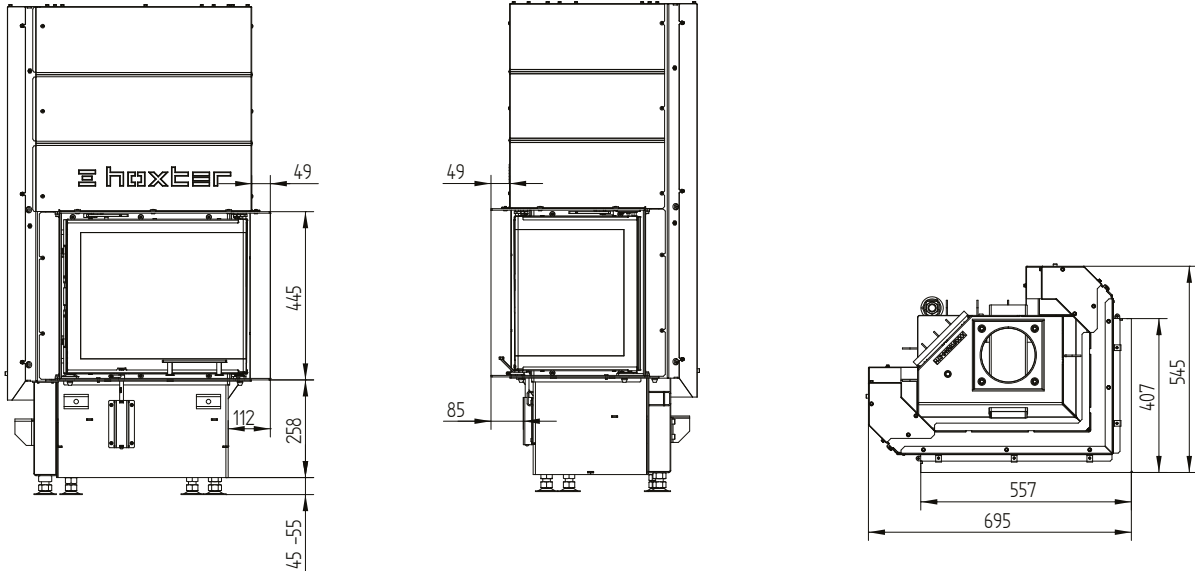
Cover frame 50/35/45Rh right liftdoor 4sides 60 mm 1 x 90°



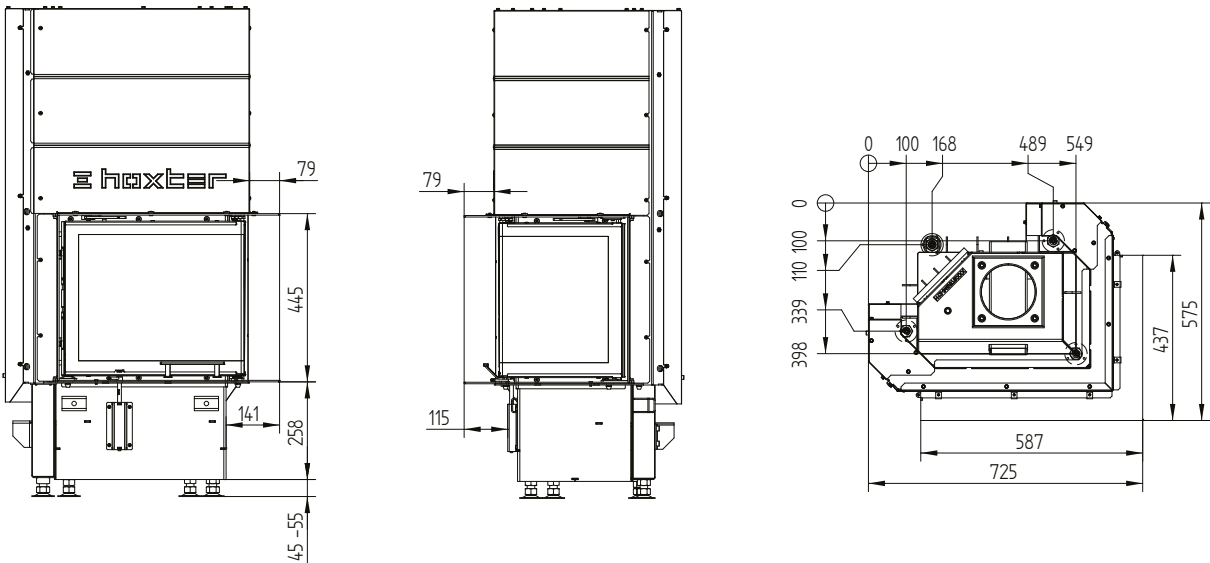
ECKA 50/35/45Rh

Technical data
Version 09/2023

Build-on frame 50/35/45Rh right liftdoor 6sides 50 mm



Build-on frame 50/35/45Rh right liftdoor 6sides 80 mm / feet



ECKA 50/35/45Rh

Technical data
Version 09/2023

Build-on frame 50/35/45Rh right liftdoor 4sides 80 mm

