

| Technical data | operation when directly connected to chimney | operation when connected accumulation mass | |
|--|--|--|---------------------------|
| | | A | A |
| Energy label | A | A | A |
| Operating data | | | |
| Nominal heat power | 5,9 kW | ---- | ---- |
| Efficiency | > 80 % | ---- | ---- |
| Consumption of wood | 1,9 kg/h | 4,5 kg | 3,1 kg |
| Total heat output of the burning chamber | ---- | 18 kW | 12 kW |
| Average heat output / heat accumulation time ⁵ | | 1,8 kW / 8 h | 1,2 kW / 8 h |
| Mass flow of flue gas | 5,4 g/s | 15 g/s | 11 g/s |
| Required chimney pressure | 12 Pa | 12 Pa | 15 Pa |
| Required amount of combustion air | 20 m ³ /h | 40 m ³ /h | 30 m ³ /h |
| Average flue gas temperature | | | |
| on the output | 245 °C | 395 °C | 330 °C |
| behind 3,2 m of ceramic accumulation system KMS 240 ¹ | ---- | 162 °C | ---- |
| behind S-accumulation rings (5x S-acc. ring Ø345mm) | ---- | ---- | 210 °C |
| Heat distribution | | | |
| fireplace insert | 64–75 % | 35 % | 35 % |
| door glass (single / double) | 36 / 25 % | 36 / 25 % | 36 / 25 % |
| additional accumulation mass | ---- | 29–40 % | 29–40 % |
| Information for ventilated builds | | | |
| Minimal grill area supply / outgoing | 600 / 700 cm ² | 600 / 700 cm ² | 600 / 700 cm ² |
| Minimum distance from insulated areas / floor | 80 / 0 mm | 80 / 0 mm | |
| Reference insulation ² ceiling / back wall / side wall / floor | 120 / 80 / 80 / 0 mm | 120 / 80 / 80 / 0 mm | |
| Calciumsilicate insulation ³ ceiling / back wall / side wall / floor | 90 / 60 / 60 / 0 mm | 90 / 60 / 60 / 0 mm | |
| Information for non-ventilated builds (closed grills) | | | |
| Minimum radiant area ⁴ | suitable | 4 m ² | |
| Minimum distance from insulated areas / floor | 80 / 20 mm | 80 / 20 mm | |
| Reference insulation ² ceiling / back wall / side wall / floor | 160 / 100 / 100 / 20 mm | 160 / 100 / 100 / 20 mm | |
| Calciumsilicate insulation ³ ceiling / back wall / side wall / floor | 120 / 75 / 75 / 20 mm | 120 / 75 / 75 / 20 mm | |
| General technical information | | | |
| Total weight / lining weight | circa 135 / 45 kg | circa 135 / 45 kg | |
| Burning chamber dimensions (width x depth) | 355 x 205 mm | | |
| Combustion air connection | Ø 125 mm | | |
| Use in non-ventilated accumulation builds according to craft rules | suitable | | |
| Tested according to | EN 13229 | | |
| Meets values | 1. BImSchV (Stufe2), 15a BVG, NS 3059 | | |

1 Listed value from testing. For accurate results is evaluation of each system in the Ortnr / KOV program necessary

2 Mineral wool according to AGI-Q 132

3 Example SkamoEnclosure Board 225 kg/m³

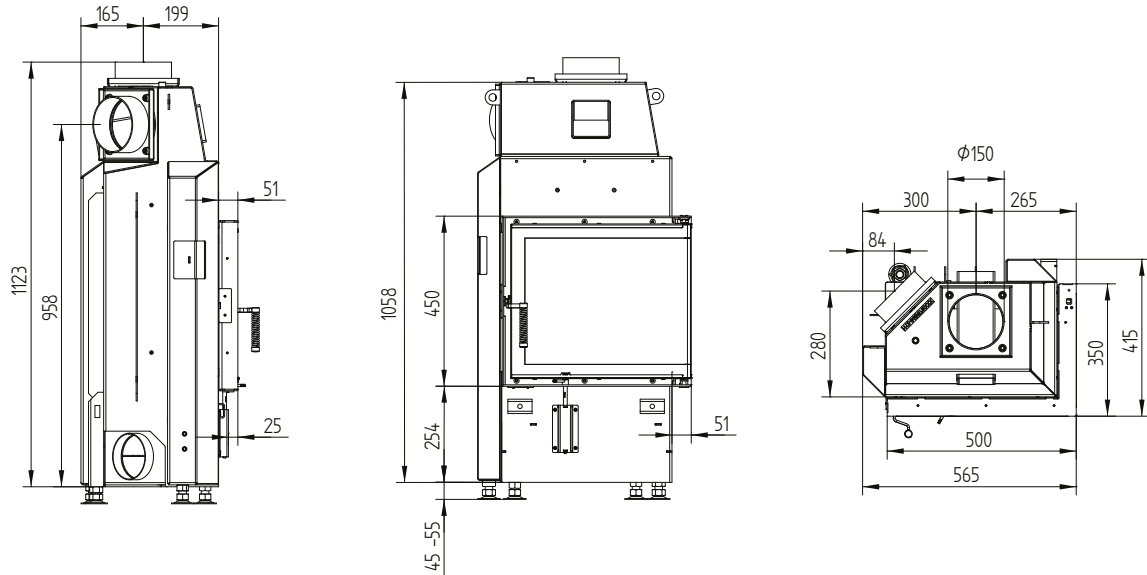
4 Depends on accumulation period and material characteristics. Listed values calculated with average specific heat output = approx. 500 W/m²

5 Storage operation, one wood charge for storage duration, with closed construction and efficiency > 80%

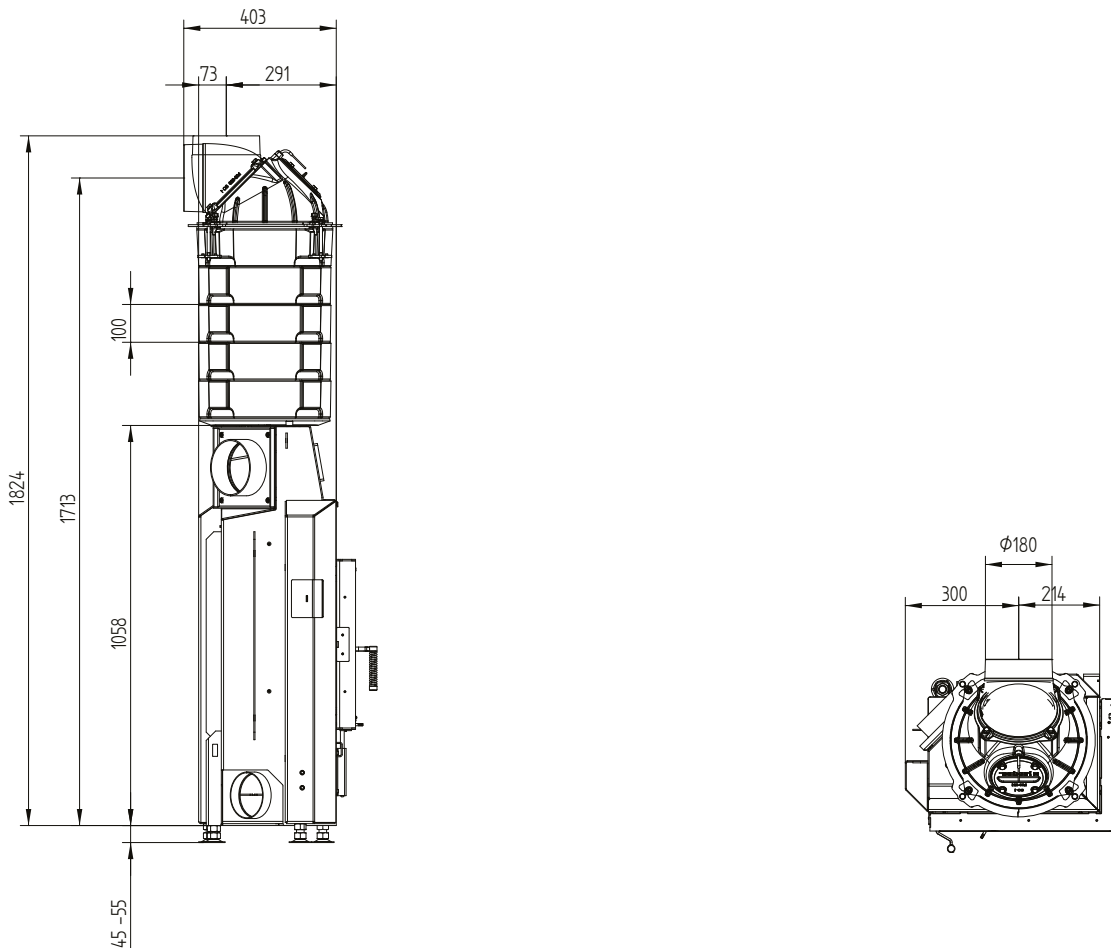
ECKA 50/35/45R

Technical data
Version 09/2023

ECKA 50/35/45R right side opening



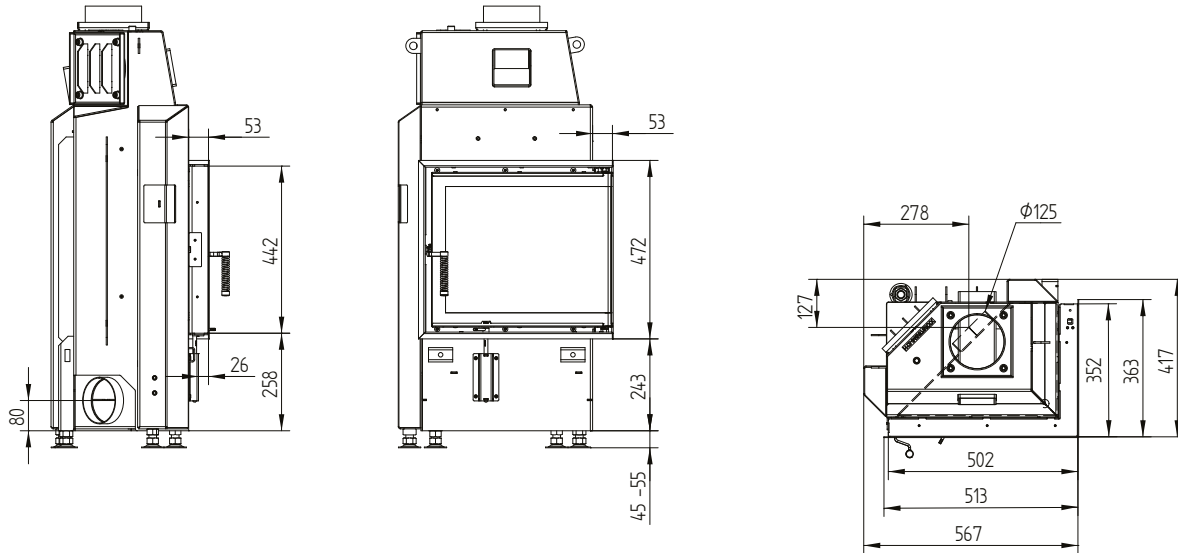
ECKA 50/35/45R right side opening S-accumulation set



ECKA 50/35/45R

Technical data
Version 09/2023

Cover frame 50/35/45R right side opening 6sides 60 mm 1 x 90° / air inlet



Build-on frame 50/35/45R right side opening 6sides 80 mm / feet

