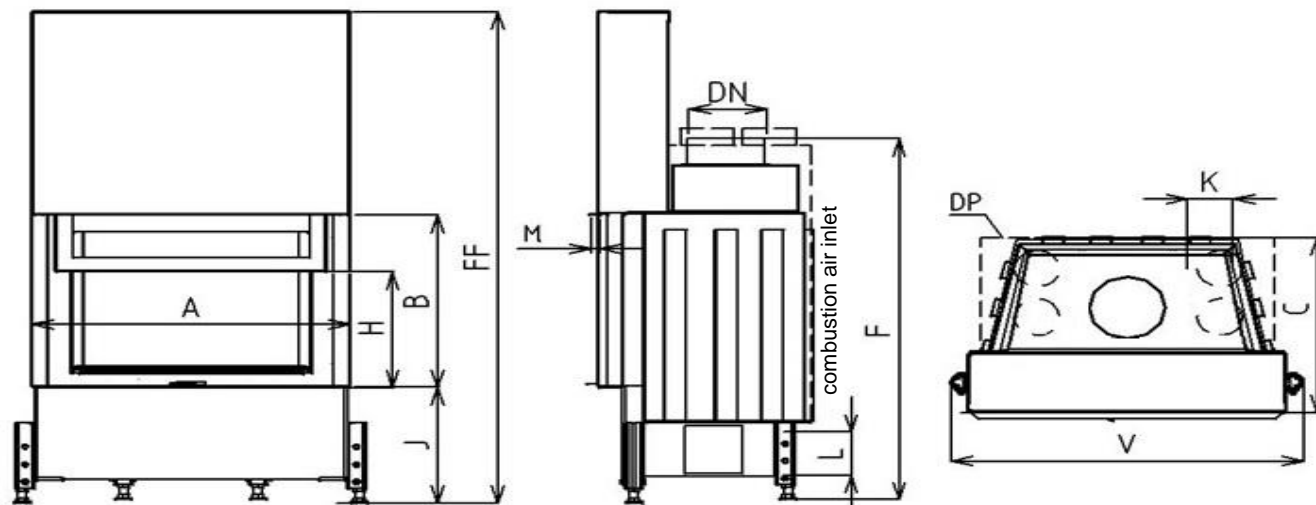


**KAZETA L 78 VD 850/450,510**

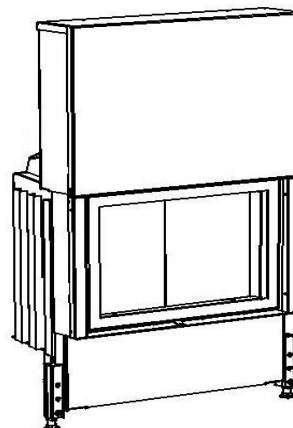
Low-energy range 78

**Low-energy fireplace insert**


Sizes		KAZETA L 78 VD 850/450	KAZETA L 78 VD 850/510
1	A	mm	850
2	F	mm	1060
3	C	mm	480
4	DN	Ø mm	200
5	B	mm	450
6	FF	mm	1350
7	V	mm	960
8	AA	mm	
9	H	mm	315
10	J	mm	325 + /160/
11	K	Ø mm	4x125
12	L	Ø mm	125
13	M	mm	20
14	N	mm	

**Basic design:**

Thermodynamic Hearth  
 Segment chamotte lining  
 Glass Classic  
 Inox control grip-handle MP2  
 Enviromentally friendly varnish



Technical parameters			
1	Nominal heat output	kW	7,0
2	Pressure required	Pa	12
3	Average efficiency	%	75,9
4	Average flue gas temperature	°C	264
5	Wood consuption	kg/h	2,2
6	Consumption of combustion air	m <sup>3</sup> /hod	21
7	Emission of CO to 13% O2	%	0,1
8	Flue gas mass flow	g/s	8
9	Weight	kg	290
10	Required min. cross section for circulating air - INPUT	cm <sup>2</sup>	225
11	Required min. cross section for circulating air - OUTPUT	cm <sup>2</sup>	350
12	Three-component insulated chimney - active height 6 m	Ø cm	180
13	Character of building construction with fireplace insert	warm air convection	Yes
		heat storage without conv	No

**Optional accessories:**

Cover frame (KR)  
 Glass Reflex (SR)  
 Black printed glass(SM)  
 Black printed glass Reflex (SMR)  
 External ashtray (VOP)  
 Lower hearth (ZO)  
 Convectional casing (DP)  
 Rear feeding door (PD)  
 Vertical heat-storing panel (AZ)

Test Method: ČSN EN 1322/A2:2007, FprEN16510-1, FprEN16510-2-2

Fireplace complies with the requirements: EN 13229, DIN +, BlmSchV-Stufe 2, Commission Regulation (EU) č. 2015/1185 Ecodesign requirements

KOBOK reserves the right to change dimensions and parameters described in these sheets. The current edition can be downloaded from www.KOBOK.sk