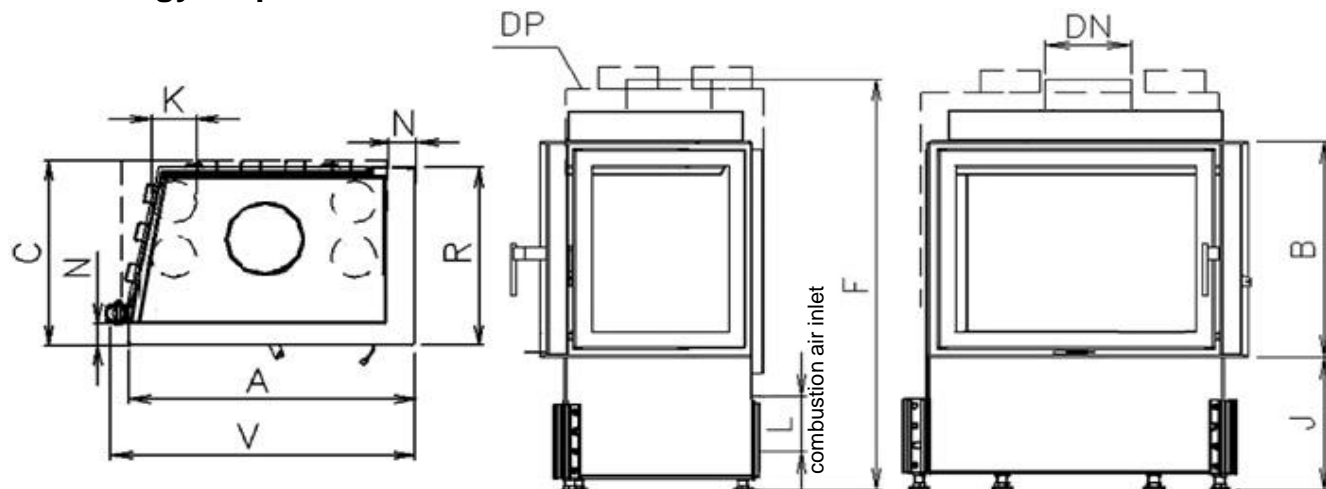


KAZETA R90 67 LD 670/450,510/450 (L/P)

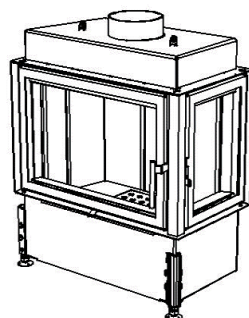
Low-energy range 67

Low-energy fireplace insert


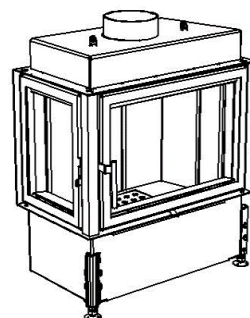
| Sizes | | KAZETA R90 67 LD 670/450/450 (L/P) | KAZETA R90 67 LD 670/510/450 (L/P) |
|-------|----|--|--|
| 1 | A | mm | 670 |
| 2 | F | mm | 960 |
| 3 | C | mm | 470 |
| 4 | DN | Ø mm | 180 |
| 5 | B | mm | 450 |
| 6 | V | mm | 725 |
| 7 | R | mm | 450 |
| 8 | AA | mm | |
| 9 | H | mm | |
| 10 | J | mm | 325 + /110/ |
| 11 | K | Ø mm | 4x125 |
| 12 | L | Ø mm | 125 |
| 13 | M | mm | |
| 14 | N | mm | 50 |

Basic design:

Thermodynamic Hearth
 Segment chamotte lining
 Glass Classic
 Inox control grip-handle RP2, RP1
 Enviromentally friendly varnish



KAZETA R90/450 P



KAZETA R90/450 L

| Technical parameters | | | |
|----------------------|--|---------------------------|------|
| 1 | Nominal heat output | kW | 6,5 |
| 2 | Pressure required | Pa | 12 |
| 3 | Average efficiency | % | 77,7 |
| 4 | Average flue gas temperature | °C | 259 |
| 5 | Wood consuption | kg/h | 2,1 |
| 6 | Consumption of combustion air | m ³ /hod | 19,5 |
| 7 | Emission of CO to 13% O2 | % | 0,1 |
| 8 | Flue gas mass flow | g/s | 6,8 |
| 9 | Weight | kg | 190 |
| 10 | Required min. cross section for circulating air - INPUT | cm ² | 200 |
| 11 | Required min. cross section for circulating air - OUTPUT | cm ² | 325 |
| 12 | Three-component insulated chimney - active height 5 m | Ø cm | 180 |
| 13 | Character of building const-ruction with fireplace insert | warm air convection | Yes |
| | | heat storage without conv | Yes |

Optional accessories:

Cover frame (KR)
 Glass Reflex (SR)
 External ashtray (VOP)
 Lower hearth (ZO)
 Convectional casing (DP)
 Vertical heat-storing panel (AZ)
 Heat accumulation quadrant (APO)

Test Method: ČSN EN 1322/A2:2007, FprEN16510-1, FprEN16510-2-2

Fireplace complies with the requirements: EN 13229, DIN +, BlmSchV-Stufe 2, Commission Regulation (EU) č. 2015/1185 Ecodesign requirements

KOBOK reserves the right to change dimensions and parameters described in these sheets. The current edition can be downloaded from www.KOBOK.sk