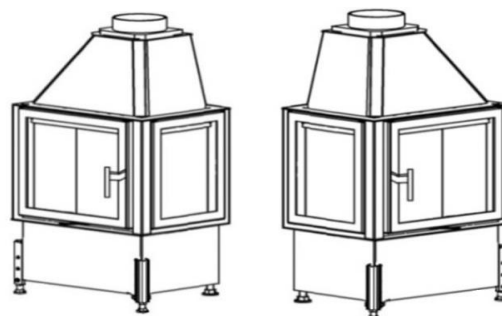


Sizes		CHOPOK R90 90 LD 900/450 /450(L/P)	CHOPOK R90 90 LD 900/510 /450(L/P)	CHOPOK R90 90 LD 900/570 /450(L/P)	
1	A	mm	900		
2	F	mm	1260	1320	1380
3	C	mm	470		
4	DN	Ø mm	200		
5	B	mm	450	510	570
6	V	mm	955		
7	R	mm	450		
8	AA	mm			
9	H	mm			
10	J	mm	325 + /110/		
11	K	Ø mm	4x125		
12	L	Ø mm	125		
13	M	mm			
14	N	mm	50		

Basic design:

Thermodynamic Hearth
 Segment chamotte lining (SO)
 Glass Classic
 Inox control grip-handle RP2, RP1
 Environmentally friendly varnish



CHOPOK R90/450 P

CHOPOK R90/450 L

Technical parameters			
1	Nominal heat output	kW	12,0
2	Pressure required	Pa	12
3	Average efficiency	%	78,8
4	Average flue gas temperature	°C	261
5	Wood consumption	kg/h	3,9
6	Consumption of combustion air	m ³ /h	36
7	Emission of CO to 13% O ₂	%	0,1
8	Flue gas mass flow	g/s	12,4
9	Weight	kg	240
10	Required min. cross section for circulating air - INPUT	cm ²	375
11	Required min. cross section for circulating air - OUTPUT	cm ²	600
12	Three-component insulated chimney - active height 5 m	Ø cm	200
13	Character of building construction with fireplace insert	warm air convection	Yes
		heat storage without conv	Yes

Optional accessories:

Cover frame (KR)
 Glass Reflex (SR)
 External ashtray (VOP)
 Lower hearth (ZO)
 Convectional casing (DP)
 Vertical heat-storing panel (AZ)
 Heat accumulation quadrant (APO)

Test Method: ČSN EN 1322/A2:2007, FprEN16510-1, FprEN16510-2-2

Fireplace complies with the requirements: EN 13229, DIN +, BlmSchV-Stufe 2, Commission Regulation (EU) č. 2015/1185 Ecodesign requirements

KOBOK reserves the right to change dimensions and parameters described in these sheets. The current edition can be downloaded from www.KOBOK.sk