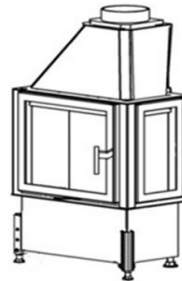


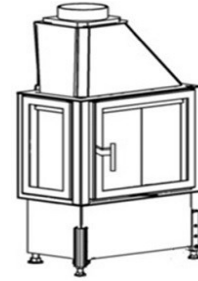
Sizes		CHOPOK R90 73 LD 730/450/ 330(L/P)	CHOPOK R90 73 LD 730/510/ 330(L/P)	CHOPOK R90 73 LD 730/570/ 330(L/P)	
1	A	mm	730		
2	F	mm	1150	1210	1270
3	C	mm	470		
4	DN	Ø mm	180		
5	B	mm	450	510	570
6	V	mm	785		
7	R	mm	330		
8	AA	mm			
9	H	mm			
10	J	mm	325 + /110/		
11	K	Ø mm	4x125		
12	L	Ø mm	125		
13	M	mm			
14	N	mm	50		

Basic design:

Thermodynamic Hearth
 Segment chamotte lining (SO)
 Glass Classic
 Inox control grip-handle RP2, RP1
 Enviromentally friendly varnish



CHOPOK R90 /330 P



CHOPOK R90 /330 L

Technical parameters			
1	Nominal heat output	kW	10,5
2	Pressure required	Pa	12
3	Average efficiency	%	81,5
4	Average flue gas temperature	°C	243
5	Wood consuption	kg/h	3,3
6	Consumption of combustion air	m3/h	32
7	Emission of CO to 13% O2	%	0,1
8	Flue gas mass flow	g/s	9,9
9	Weight	kg	210
10	Required min. cross section for circulating air - INPUT	cm ²	325
11	Required min. cross section for circulating air - OUTPUT	cm ²	525
12	Three-component insulated chimney - active height 5 m	Ø cm	180
13	Character of building construction with fireplace insert	warm air convection	Yes
		heat storage without conv	Yes

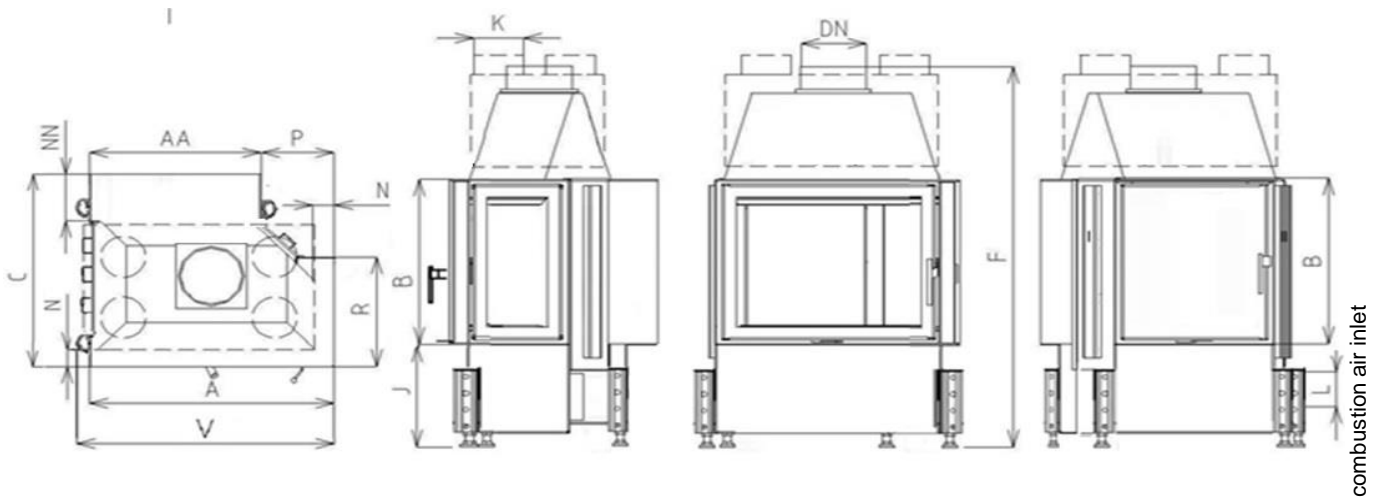
Optional accessories:

Cover frame (KR)
 Glass Reflex (SR)
 External ashtray (VOP)
 Lower hearth (ZO)
 Convectional casing (DP)
 Rear feeding door (PD)
 Heat accumulation quadrant (APO)

Test Method: ČSN EN 1322/A2:2007, FprEN16510-1, FprEN16510-2-2

Fireplace complies with the requirements: EN 13229, DIN +, BImSchV-Stufe 2, Commission Regulation (EU) č. 2015/1185 Ecodesign requirements

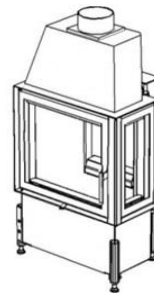
KOBOK reserves the right to change dimensions and parameters described in these sheets. The current edition can be downloaded from www.KOBOK.sk



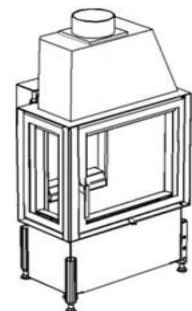
Sizes		CHOPOK R90	CHOPOK R90	CHOPOK R90	
		73 LD 730/450/ 330(L/P) PD 530/450	73 LD 730/510/ 330(L/P) PD 530/510	73 LD 730/570/ 330(L/P) PD 530/570	
1	A	mm	730		
2	F	mm	1120	1180	1240
3	C	mm	540		
4	DN	Ø mm	180		
5	B	mm	450	510	570
6	P	mm	200		
7	R	mm	330		
8	AA	mm	530		
9	V		785		
10	J	mm	325 + /110/		
11	K	Ø mm	4x125		
12	L	Ø mm	125		
13	NN	mm	70		
14	N	mm	50		

Basic design:

Thermodynamic Hearth
 Segment chamotte lining (SO)
 Glass Classic
 Inox control grip-handle RP2, RP1
 Enviromentally friendly varnish



CHOPOK R90/330 P PD 530



CHOPOK R90/330 L PD 530

Technical parameters			
1	Nominal heat output	kW	10,5
2	Pressure required	Pa	12
3	Average efficiency	%	81,5
4	Average flue gas temperature	°C	243
5	Wood consumption	kg/h	3,3
6	Consumption of combustion air	m3/h	32
7	Emission of CO to 13% O2	%	0,1
8	Flue gas mass flow	g/s	9,9
9	Weight	kg	240
10	Required min. cross section for circulating air - INPUT	cm ²	325
11	Required min. cross section for circulating air - OUTPUT	cm ²	525
12	Three-component insulated chimney - active height 5 m	Ø cm	180
13	Character of building construction with fireplace insert	warm air convection	Yes
		heat storage without conv	Yes

Optional accessories:

Cover frame (KR)
 Glass Reflex (SR)
 Lower hearth (ZO)
 Convectonal casing (DP)
 Heat accumulation quadrant (APO)

Test Method: ČSN EN 1322/A2:2007, FprEN16510-1, FprEN16510-2-2

Fireplace complies with the requirements: EN 13229, DIN +, BlmSchV-Stufe 2, Commission Regulation (EU) č. 2015/1185 Ecodesign requirements

KOBOK reserves the right to change dimensions and parameters described in these sheets. The current edition can be downloaded from www.KOBOK.sk