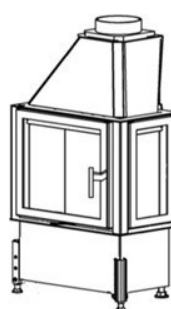


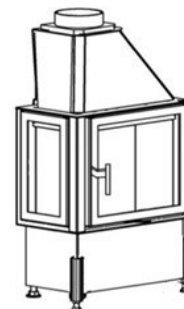
Sizes			CHOPOK R90 60 LD 600/450/ 330(L/P)	CHOPOK R90 60 LD 600/510/ 330(L/P)	CHOPOK R90 60 LD 600/570/ 330(L/P)
1	A	mm		600	
2	F	mm	1150	1210	1270
3	C	mm		470	
4	DN	Ø mm		180	
5	B	mm	450	510	570
6	V	mm		655	
7	R	mm		330	
8	AA	mm			
9	H	mm			
10	J	mm		325 + /110/	
11	K	Ø mm		4x125	
12	L	Ø mm		125	
13	M	mm			
14	N	mm		50	

Basic design:

Thermodynamic Hearth
Segment chamotte lining (SO)
Glass Classic
Inox control grip-handle RP2, RP1
Environmentally friendly varnish



CHOPOK R90 /330 P



CHOPOK R90 /330 L

Technical parameters			
1	Nominal heat output	kW	9,0
2	Pressure required	Pa	12
3	Average efficiency	%	84,3
4	Average flue gas temperature	°C	224
5	Wood consuption	kg/h	3
6	Consumption of combustion air	m3/h	27
7	Emission of CO to 13% O2	%	0,1
8	Flue gas mass flow	g/s	7,3
9	Weight	kg	180
10	Required min. cross section for circulating air - INPUT	cm ²	275
11	Required min. cross section for circulating air - OUTPUT	cm ²	450
12	Three-component insulated chimney - active height 5 m	Ø cm	160
13	Character of building const-ruction	warm air convection	Yes
	with fireplace insert	heat storage without conv	Yes

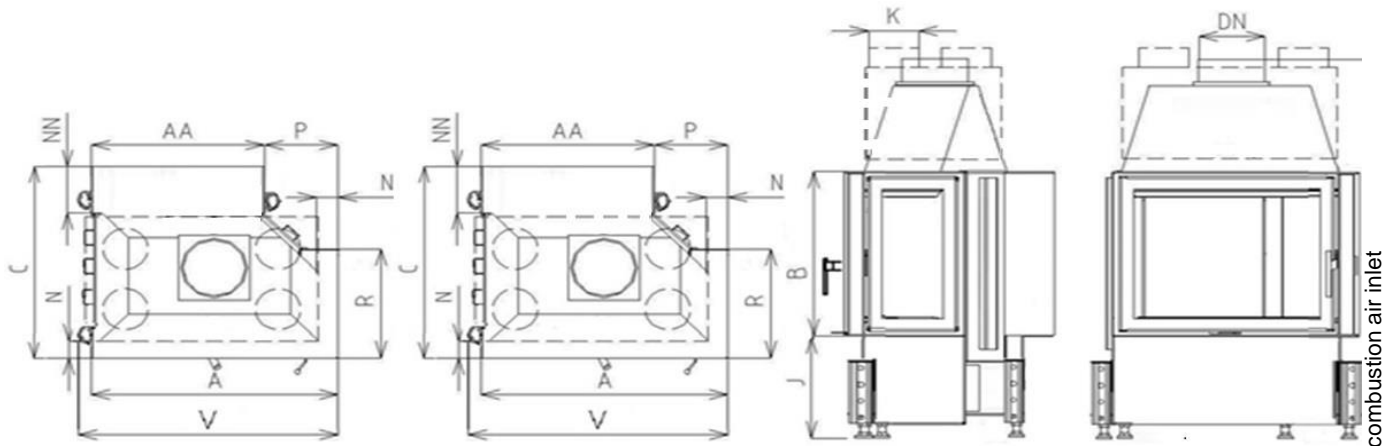
Optional accessories:

Cover frame (KR)
Glass Reflex (SR)
External ashtray (VOP)
Lower hearth (ZO)
Convectonal casing (DP)
Rear feeding door (PD)
Heat accumulation quadrant (APO)

Test Method: ČSN EN 1322/A2:2007, FprEN16510-1, FprEN16510-2-2

Fireplace complies with the requirements: EN 13229, DIN +, BlmSchV-Stufe 2, Commission Regulation (EU) č. 2015/1185 Ecodesign requirements

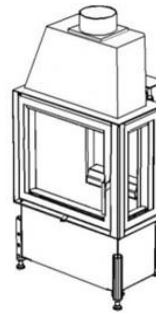
KOBOK reserves the right to change dimensions and parameters described in these sheets. The current edition can be downloaded from www.KOBOK.sk



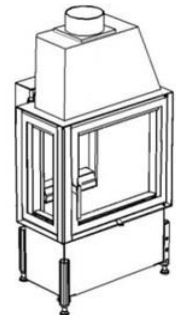
Sizes			CHOPOK R90 60 LD 600/450/ 330(L/P) PD 400/450	CHOPOK R90 60 LD 600/510/ 330(L/P) PD 400/510	CHOPOK R90 60 LD 600/570/ 330(L/P) PD 400/570
1	A	mm	600		
2	F	mm	1120	1180	1240
3	C	mm	540		
4	DN	Ø mm	180		
5	B	mm	450	510	570
6	P	mm	200		
7	R	mm	330		
8	AA	mm	400		
9	V		655		
10	J	mm	325 + /110/		
11	K	Ø mm	4x125		
12	L	Ø mm	125		
13	NN	mm	70		
14	N	mm	50		

Basic design:

Thermodynamic Hearth
Segment chamotte lining (SO)
Glass Classic
Inox control grip-handle RP2, RP1
Environmentally friendly varnish



CHOPOK R90/330 P PD 400



CHOPOK R90/330 L PD 400

Technical parameters			
1	Nominal heat output	kW	9,0
2	Pressure required	Pa	12
3	Average efficiency	%	84,3
4	Average flue gas temperature	°C	224
5	Wood consuption	kg/h	3
6	Consumption of combustion air	m3/h	27
7	Emission of CO to 13% O2	%	0,1
8	Flue gas mass flow	g/s	7,3
9	Weight	kg	210
10	Required min. cross section for circulating air - INPUT	cm ²	275
11	Required min. cross section for circulating air - OUTPUT	cm ²	450
12	Three-component insulated chimney - active height 6 m	Ø cm	160
13	Character of building construction with fireplace insert	warm air convection	Yes
		heat storage without conv	Yes

Optional accessories:

Cover frame (KR)
Glass Reflex (SR)
Lower hearth (ZO)
Convictional casing (DP)
Heat accumulation quadrant (APO)

Test Method: ČSN EN 1322/A2:2007, FprEN16510-1, FprEN16510-2-2

Fireplace complies with the requirements: EN 13229, DIN +, BlmSchV-Stufe 2, Commission Regulation (EU) č. 2015/1185 Ecodesign requirements

KOBOK reserves the right to change dimensions and parameters described in these sheets. The current edition can be downloaded from www.KOBOK.sk