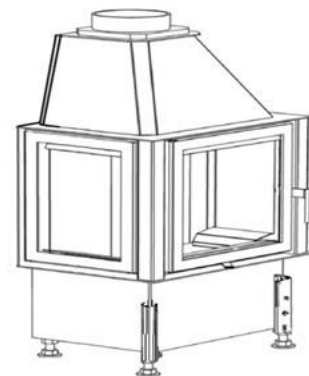


Sizes			CHOPOK 2R90 78 LD 780/450/450	CHOPOK 2R90 78 LD 780/510/450	CHOPOK 2R90 78 LD 780/570/450
1	A	mm	780		
2	F	mm	1200	1260	1320
3	C	mm	470		
4	DN	Ø mm	200		
5	B	mm	450	510	570
6	FF	mm			
7	R	mm	450		
8	AA	mm			
9	H	mm			
10	J	mm	325 + /110/		
11	K	Ø mm	4x125		
12	L	Ø mm	125		
13	M	mm			
14	N	mm	50		

**Basic design:**

Thermodynamic Hearth  
 Segment chamotte lining (SO)  
 Glass Classic  
 Inox control grip-handle RP2, 2xRP1  
 Environmentally friendly varnish



Technical parameters			
1	Nominal heat output	kW	11,0
2	Pressure required	Pa	12
3	Average efficiency	%	77,4
4	Average flue gas temperature	°C	259
5	Wood consumption	kg/h	3,3
6	Consumption of combustion air	m <sup>3</sup> /h	33
7	Emission of CO to 13% O <sub>2</sub>	%	0,1
8	Flue gas mass flow	g/s	12,7
9	Weight	kg	220
10	Required min. cross section for circulating air - INPUT	cm <sup>2</sup>	350
11	Required min. cross section for circulating air - OUTPUT	cm <sup>2</sup>	550
12	Three-component insulated chimney - active height 5 m	Ø cm	180
13	Character of building construction with fireplace insert	warm air convection	Yes
		heat storage without conv	Yes

**Optional accessories:**

Cover frame (KR)  
 Glass Reflex (SR)  
 External ashtray (VOP)  
 Lower hearth (ZO)  
 Convectional casing (DP)  
 Vertical heat-storing panel (AZ)  
 Heat accumulation quadrant (APO)

Test Method: ČSN EN 1322/A2:2007, FprEN16510-1, FprEN16510-2-2

Fireplace complies with the requirements: EN 13229, DIN +, BlmSchV-Stufe 2, Commission Regulation (EU) č. 2015/1185 Ecodesign requirements

KOBOK reserves the right to change dimensions and parameters described in these sheets. The current edition can be downloaded from [www.KOBOK.sk](http://www.KOBOK.sk)