

NEW

ADAM



67 to 150
m²

SUPRO.

WOOD BURNER THAT FOLLOWS THE TREND

HORIZONTAL CAST IRON STOVES



	POWER 7.3 kW	 33 cm (49 cm MAX.)	AIRTIGHT AND CONNECTIBLE	CONNECTED TO OUTSIDE AIR (in diameter) 100 mm
--	-----------------	---------------------------	-----------------------------	--

COMBUSTION AND MATERIALS

- Dual combustion for more efficient and cleaner combustion (minimum CO and dust content)
- Vermiculite sides for improved combustion
- Made of high quality lamellar graphite cast iron
- Double wall cast iron for extra strength
- Removable cast iron grating
- High-strength ceramic glass

INSTALLATION AND USE

- **Back or** top flue connection (150 mm)
- Rear protection to protect any nearby installations
- Adjustable flame intensity
- "Clean glass" system
- Large view of the fire diagonal 53 cm (21 inches)
- Removable large capacity ashtray

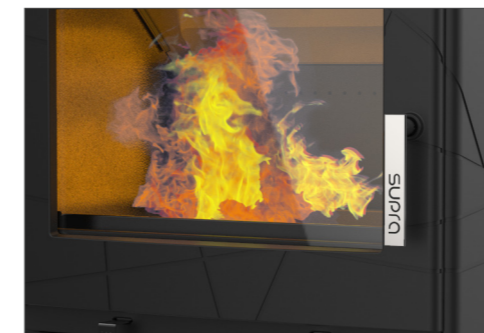
PRODUCT PERFORMANCE	
Nominal power	7.3 kW
Power range	5 to 15 kW
Efficiency	78 %
Seasonal efficiency	68 %
CO (13 % O ₂) (mg/Nm ³)	0.09/1097
Nominal load	2.46 kg/h
Dust (mg/Nm ³)	32
NO _x (mg/Nm ³)	101
COV (OGC) (mg/Nm ³)	53
Mean flue gas temperature	262 °C
Flue gas mass flow	6.9 g/s
Nozzle depression (nominal)	12 Pa
CO ₂ emissions	9.35 %
Dual combustion	Yes
Airlight	Yes
ECODESIGN 2022	Yes

PRODUCT INFORMATION	
EAN Code:	376 007 541 313 2
Product code	FR9015920B
Main material	Cast iron
View of the fire (diagonal)	53 cm (21 inch)
Log size	33 cm (49 cm MAX.)
Gross weight	181 kg
Net Weight	168 kg
Dimensions LxHxD	62.4 x 59.5 x 43.3 cm
Packaging dimensions LxHxD	65.5 x 73 x 49.5 cm

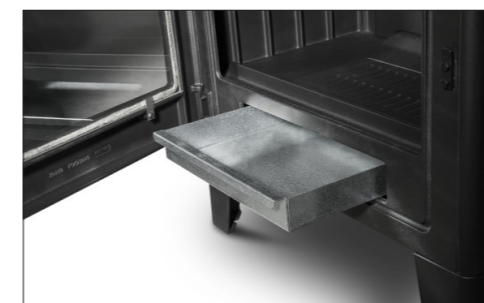
INSTALLATION AND SIZING	
Diameter of flue gas nozzle	150 mm
Flue gas connection	Back or above part
Flue collar	Male
Diameter connection to outside air	100 mm (back)
Back installation distance*	40 cm
Lateral installation distance*	40 cm

*Distance between the heater and combustible materials

PRODUCT PHOTOS



Ergonomic handle adapted for its everyday use.



Large capacity removable ashtray.

DIMENSIONAL PLAN

