

MONTMARTRE 800C / 800 P / 1000C

Comfort and fulfilment are synonymous with MONTMARTRE. This cleanly designed wood burner creates a warm and fascinating atmosphere with its xxl view of the fire. You can choose between a wood log storage or a base, but the comfort and performance remain the same.



MONTMARTRE 800C  
FR9011040B  
EAN: 3760075412036



MONTMARTRE 800P  
FR9011050B  
EAN: 3760075412043



MONTMARTRE 1000C  
FR9011070B  
EAN: 3760075412067



SPECIFICATIONS

PRODUCT INFORMATION			
Model	MONTMARTRE 800C	MONTMARTRE 800P	MONTMARTRE 1000C
Log size (cm)	50 cm (60 max.)		50 cm (80 max.)
Warranty*	5 years		
Dimensions LxHxD (cm)	76 x 92 x 51	76 x 93.3 x 51	100 x 92 x 51
Gross weight (kg)	232	231	282
Net weight (kg)	205	204	251
PRODUCT PERFORMANCE			
Nominal Power (kW)	8.8		11
Power range (kW)	7 to 14		
Efficiency (%)	77	77.1	78.2
Seasonal efficiency (%)	67	67	68
CO2 emission (13% O2) (%/mg/Nm³)	0.08 /1047		0.08/977
Dual combustion	Yes		
Ecodesing	Yes		
Airtight	Yes		
INSTALLATION AND SIZING			
Ø combustion gas outlet nozzle (mm)	150		180
Flue gas connection	up		
Flue collar	Male		
Ø Combustion air inlet nozzle	75 mm (bottom and back)	75 mm (back)	75 mm (bottom and back)
Mean flue gas temperature	327.9 °C		326 °C
Flue gas mass flow (g/s)	6.91		8.35
	12 Pa		
CO <sub>2</sub> emission (%)	11.3		11.8
Back installation distance (cm)	35		25
Lateral installation distance (cm)	25		20

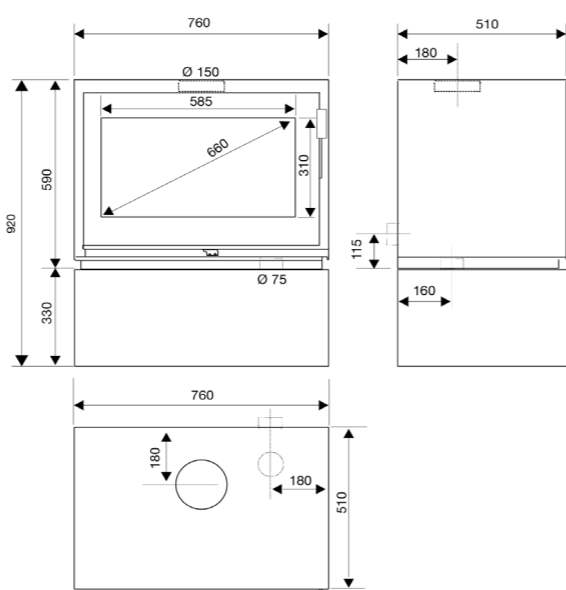
\*2 years for parts and 5 years for heating elements

COMBUSTION

State-of-the-art heating body for more efficient and cleaner combustion (minimum CO and dust content) thanks to essential factors:

- Its airtightness for perfect combustion air control (primary air, secondary air and window air fully channelled and controllable)
- Its 2 vermiculite-coated steel and stainless steel baffles (removable without tools)
- A secondary air ramp for efficient dual combustion

Natural heat transfer to the front of the appliance for optimum comfort.



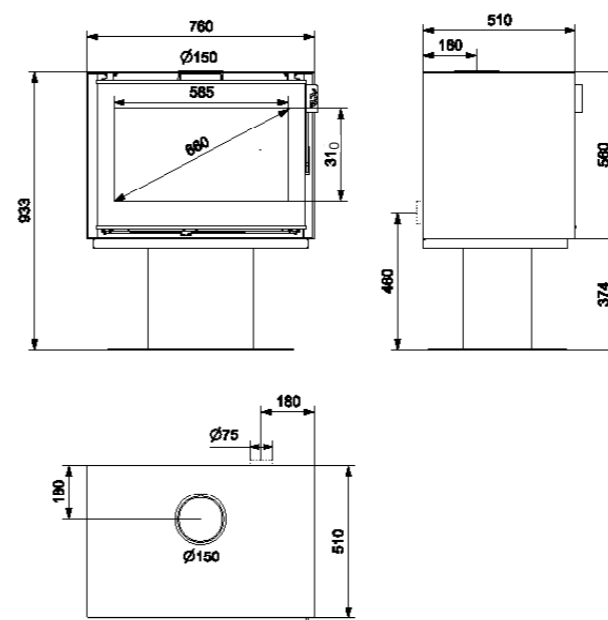
MONTMARTRE 800C

AESTHETICS

- High handles
- Front opening door
- Cubic design with sober, refined finishes
- Thick-walled steel black coating (front and back)

USE

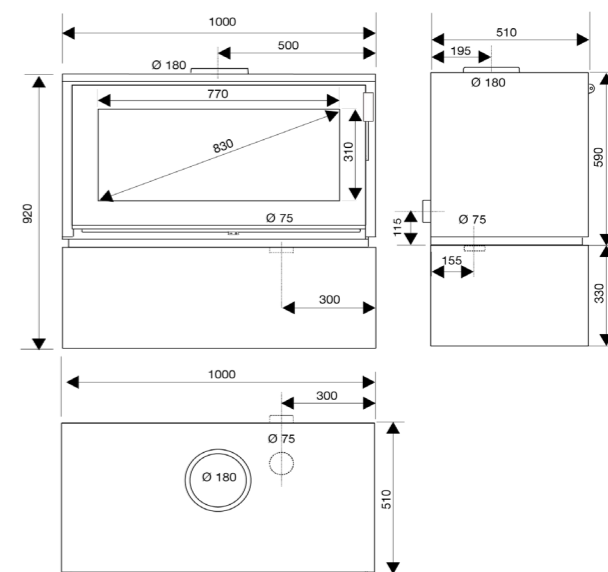
- Easily accessible ashtray that allows easy maintenance
- Individual air control for combustion control
- "clean glass" system



MONTMARTRE 800P

INSTALLATION

- Wood log storage (standard) for storing accessories or firewood (76 cm long woodshed for MONTMARTRE 800C)
- 1 metre wide XXL drawer plinth (MONTMARTRE 1000C)
- 4 adjustable feet ensure perfect levelling of the device.



MONTMARTRE 1000C

MATERIALS

- Steel heating element with thick walls
- Vermiculite interior protected with steel plates
- Cast iron grating (3 pieces)

