

supra.

150 ans

Experience in the pursuit of well-being

CATALOGUE 2023

WOOD BURNERS . PELLET BURNERS



MANUFACTURER OF WELL-BEING SINCE 1873

SUPRA.

150 ans

Experience in the pursuit of
well-being

Fire has always captivated, appeased, warmed and brought well-being to our homes. This is why SUPRA FRANCE uses its knowledge to provide its customers with comfortable warmth through its high-performance equipment.

Supra France has been building well-being since 1873. This year marks the 150th anniversary of Supra France's mobilisation of its technicians, engineers and manufacturers to serve the heating industry.

Our company offers efficient heating solutions for the home. Supra has a range of efficient wood burning appliances with a wide selection of power ratings, as well as efficient and modern electric heaters. The demand for our wood burners, pellet burners, fireplaces and electric heaters and inserts is growing steadily. That is why we work every day to make our production as efficient as possible and develop products that meet our customers' needs and desires.

In Obernai, Alsace, we work to meet our customers' needs. Today, like yesterday, every member of Supra is responsible for the development of our devices. Supra combines the authenticity of wood with technology and design to design increasingly innovative, ecological, economical and cosy products, because the well-being of our customers is our priority.

taurusgroup

PRACTICAL INFORMATION

NEED ADVICE?
DO YOU HAVE A QUESTION ABOUT THE INSTALLATION or USE OF A PRODUCT?

AFTER-SALES SERVICE (SAV) :
From **Monday to Friday from 9:00h to 17:00h**
Telephone: **03 88 95 13 96** (Without charge)
E-mail to technique@supra.fr

SALES MANAGEMENT: 03 88 95 12 00 - advsupra@taurus.eu
For all other SUPRA FRANCE services: 03 88 95 12 00



How to make a RETURN AGREEMENT?

SUPRA brand appliances that cannot be processed at an Authorised Service Centre (ASC) must be returned to the factory.

Please contact our technical service via:

E-mail: technique@supra.fr
Telephone: **03 88 95 13 96**

The return policy must include:

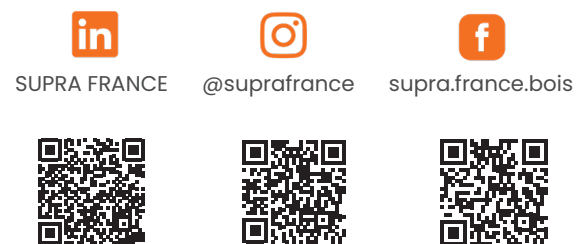
- Name of the company
- Proof of guarantee
- Purchase invoice
- Item code /model
- Drawing number
- Date of purchase

WOULD YOU LIKE TO RECEIVE INFORMATION ABOUT SUPRA NEWS?

We invite you to follow us on our social media networks and have access to other types of content.

Example of content on our social media networks:

- Product installation photos
- Information content the use of our products
- Discovery of new products
- Contents related to our business sector



WOULD YOU LIKE TO ACCESS OUR RANGE ONLINE?

visit: www.supra.fr



Find our range of wood burners, pellet burners, fireplaces and inserts, as well as our electrical products on our website.

ARE YOU A PROFESSIONAL AND WANT BUY SPARE PARTS?

visit: www.supra-pro.fr

Launched in 2022, this online shop allows the purchase of spare parts for SUPRA equipment, as well as access to communication support for the various products (instructions for use, spare parts and catalogues).

SUMMARY OF THE RANGE

WOOD STOVES

Cast-iron wood stoves - airtight - connectable

7.3 kW

	GABY p.12-13		GABY RABAISSÉ p.14-15		MARKUS p.16-17
---	------------------------	---	---------------------------------	---	--------------------------

8.7 kW

	ODÉLYA p.18-19		ODÉLYA BÜCHER p.20-21		ODÉLYA RABAISSÉ p.22-23
---	--------------------------	---	---------------------------------	---	-----------------------------------

Cast-iron wood burners - non-airtight

9 kW

	CHARLES p.24-25
---	---------------------------

Cast-iron wood stoves - non-airtight - non-connectable

10 kW

	KRIS p.26-27
---	------------------------

11.5 kW

	MAONIE p.28-29		MAONIE BÜCHER p.30-31		MAONIE SUR PIED p.32-33
---	--------------------------	---	---------------------------------	---	-----------------------------------

Steel wood stoves- airtight - connectable

7.7 kW

	LASLO BÜCHER p.34-35
---	--------------------------------

PELLET BURNING STOVES

Steel pellet stoves - airtight - connectable to concentric conduits (CSTB)

8 kW

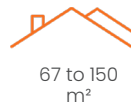
	ODAYA 8 BLACK, GREY, WHITE p.36-37
---	--



THE CHOICE OF HEAT

NEW

GABY



SUPRA.

A MODERN CAST IRON WOOD BURNER!

HORIZONTAL CAST IRON STOVES



	POWER 7.3 kW	 33cm (49 cm MAX.)	AIRTIGHT AND CONNECTIBLE	CONNECTED TO OUTSIDE AIR (in diameter) 100 mm
--	------------------------	--------------------------	------------------------------------	--

COMBUSTION AND MATERIALS

- **Dual combustion** for more efficient and cleaner combustion (minimum CO and dust content)
- **Vermiculite sides** for improved combustion
- **Made of high quality** lamellar graphite cast iron
- **Cast iron coating** for extra strength
- **Removable** cast iron grating
- High-strength **ceramic glass**

INSTALLATION AND USE

- Back or top **flue connection** (150 mm)
- **Connectable to outside air** for more comfort (100 mm)
- **Rear protection** to protect any nearby installations
- **Adjustable flame intensity**
- "Clean glass" system
- **Large diagonal flame** view 53 cm (21 inches)
- Removable **large capacity ashtray**
- **Dual adjustable air inlet system** (independent of each other).
The modification of the secondary air intake **contributes to better combustion** as it burns the unburned gases from the primary air

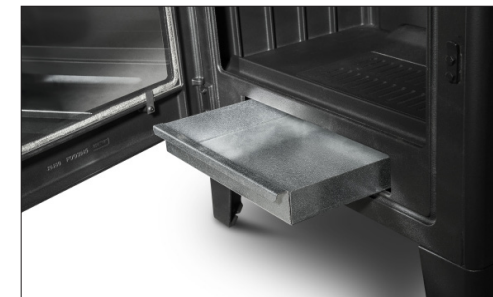
PRODUCT PERFORMANCE	
Nominal power	7.3 kW
Power range	5 to 15 kW
Efficiency	78%
Seasonal efficiency	68%
CO (13 % O ₂) (mg/Nm ³)	0.09/1097
Nominal load	2.46 kg/h
Dust (mg/Nm ³)	32
NOx (mg/Nm ³)	101
VOC (OGC) (mg/Nm ³)	53
Mean flue gas temperature	262 °C
Flue gas mass flow	6.9 g/s
Nozzle depression (nominal)	12 Pa
CO ₂ emissions	9.35 %
Dual combustion	Yes
Green flame	7 stars
BBC / RT 2012 (RE 2020)	Yes
ECODESIGN 2022	Yes

PRODUCT INFORMATION	
EAN Code:	376 007 541 332 3
Product code	FR9016110B
Main material	Cast iron
View of the fire (diagonal)	53 cm (21 inch)
Log size	33 cm (49 cm MAX.)
Gross weight	147 kg
Net weight	137 kg
Dimensions LxHxD	62.4 x 74.6 x 43.3 cm
Size of pack LxHxD	65.5 x 83.5 x 49.5 cm

INSTALLATION AND SIZING	
Diameter of flue gas nozzle	150 mm
Flue gas connection	Back or above part
Flue collar	Male
Diameter connection to outside air	100 mm (back)
Back installation distance*	40 cm
Lateral installation distance*	40 cm

*Distance between the heater and combustible materials

PRODUCT PHOTOS

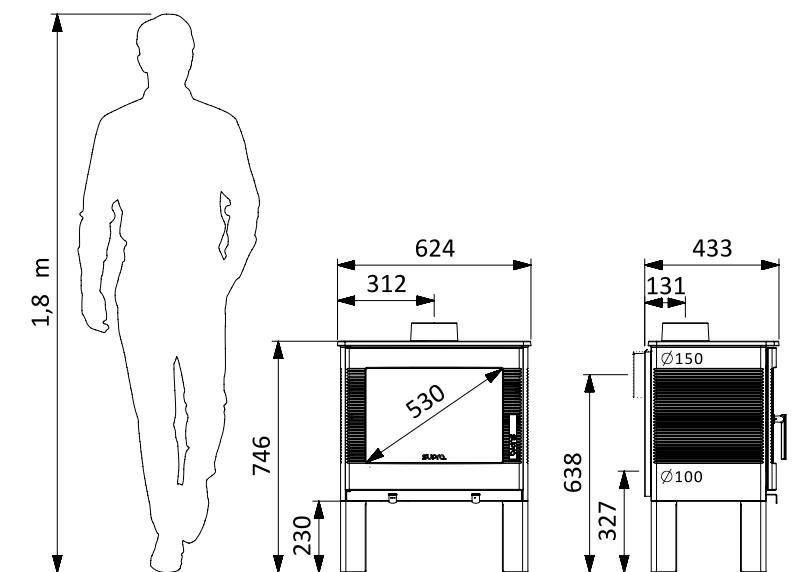


Large capacity **removable ashtray**.



Ergonomic handle adapted for its everyday use. (MARKUS, GABY AND GABY LOW)

DIMENSIONAL PLAN



NEW

GABY RABAISSÉ



67 to 150
m²

SUPRA.

IDEAL FOR FITTING INTO OLD FIREPLACE

HORIZONTAL CAST IRON STOVES



	POWER 7.3 kW	 33cm (49 cm MAX.)	AIRTIGHT AND CONNECTIBLE	CONNECTED TO OUTSIDE AIR (in diameter) 100 mm
--	------------------------	--------------------------	------------------------------------	--

COMBUSTION AND MATERIALS

- **Dual combustion** for more efficient and cleaner combustion (minimum CO and dust content)
- **Vermiculite sides** for improved combustion
- **Made of high quality** lamellar graphite cast iron
- **Cast iron coating for extra strength**
- **Removable** cast iron grating
- High-strength **ceramic glass**

INSTALLATION AND USE

- Back or top **flue connection** (150 mm)
- **Connectable to outside air** for more comfort (100 mm)
- **Rear protection** to protect any nearby installations
- **Adjustable flame intensity**
- "Clean glass" system
- **Large diagonal flame** view 53 cm (21 inches)
- Removable **large capacity ashtray**
- **Dual adjustable air inlet system** (independent of each other). The modification of the secondary air intake **contributes to better combustion** as it burns the unburned gases from the primary air

PRODUCT PERFORMANCE

Nominal power	7.3 kW
Power range	5 to 15 kW
Efficiency	78%
Seasonal efficiency	68%
CO (13 % O ₂) (mg/Nm ³)	0.09/1097
Nominal load	2.46 kg/h
Dust (mg/Nm ³)	32
NOx (mg/Nm ³)	101
VOC (OGC) (mg/Nm ³)	53
Mean flue gas temperature	262 °C
Flue gas mass flow	6.9 g/s
Nozzle depression (nominal)	12 Pa
CO ₂ emissions	9.35 %
Dual combustion	Yes
Green flame	7 stars
BBC / RT 2012 (RE 2020)	Yes
ECODESIGN 2022	Yes

PRODUCT INFORMATION

EAN Code:	376 007 541 333 0
Product code	FR9016120B
Main material	Cast iron
View of the fire (diagonal)	53 cm (21 inch)
Log size	33 cm (49 cm MAX.)
Gross weight	142 kg
Net Weight	132 kg
Dimensions LxHxD	62.4 x 53.5 x 43.3 cm
Size of pack LxHxD	65.5 x 67 x 49.5 cm

INSTALLATION AND SIZING

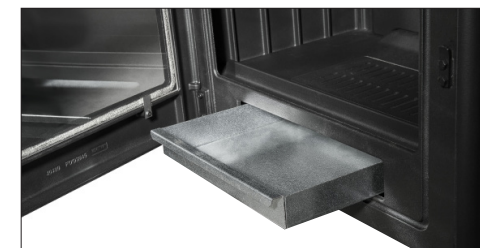
Diameter of flue gas nozzle	150 mm
Flue gas connection	Back or above part
Flue collar	Male
Diameter connection to outside air	100 mm (back)
Back installation distance*	40cm
Lateral installation distance*	40cm

*Distance between the heater and combustible materials

PRODUCT PHOTOS

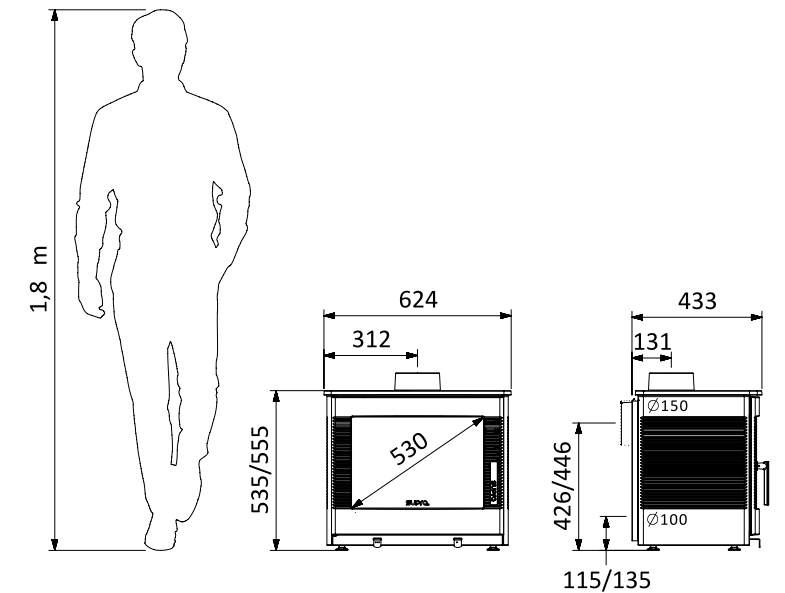


Adjustable base for perfect levelling.



Large capacity **removable ashtray**.

DIMENSIONAL PLAN



NEW

MARKUS



67 to 150
m²

SUPRA.

THE SCANDINAVIAN SPIRIT ENTERS YOUR HOME

HORIZONTAL CAST IRON STOVES



	POWER 7.3 kW	 33cm (49 cm MAX.)	AIRTIGHT AND CONNECTIBLE	CONNECTED TO OUTSIDE AIR (in diameter) 100 mm
--	------------------------	--------------------------	-------------------------------------	---

COMBUSTION AND MATERIALS

- **Dual combustion** for more efficient and cleaner combustion (minimum CO and dust content)
- **Vermiculite sides** for improved combustion
- **Made of high quality** lamellar graphite cast iron
- Cast iron coating for extra strength
- Removable cast iron grating
- **High-strength ceramic glass**
- Scandinavian style **wooden legs**

INSTALLATION AND USE

- Back or top **flue connection** (150 mm)
- **Connectable to outside air** for more comfort (100 mm)
- Rear protection to protect any nearby installations
- **Adjustable flame intensity**
- "Clean glass" system
- **Ergonomic handle** ideal for everyday use. (MARKUS, GABY, GABY LOW)
- Large diagonal flame view 53 cm (21 inches)
- Removable **large capacity ashtray**

PRODUCT PERFORMANCE

Nominal power	7.3 kW
Power range	5 to 15 kW
Efficiency	78%
Seasonal efficiency	68%
CO (13 % O ₂) (mg/Nm ³)	0.09/1097
Nominal load	2.46 kg/h
Dust (mg/Nm ³)	32
NOx (mg/Nm ³)	101
VOC (OGC) (mg/Nm ³)	53
Mean flue gas temperature	262 °C
Flue gas mass flow	6.9 g/s
Nozzle depression (nominal)	12 Pa
CO ₂ emissions	9.35 %
Dual combustion	Yes
Green flame	7 stars
BBC / RT 2012 (RE 2020)	Yes
ECODESIGN 2022	Yes

PRODUCT INFORMATION

EAN Code:	376 007 541 338 5
Product code	FR9016170B
Main material	Cast iron
View of the fire (diagonal)	53 cm (21 inch)
Log size	33 cm (49 cm MAX.)
Gross weight	145 kg
Net Weight	135 kg
Dimensions LxHxD	62.4 x 66.5 x 43.3 cm
Size of pack LxHxD	65.5 x 83.5 x 49.5 cm

INSTALLATION AND SIZING

Diameter of flue gas nozzle	150 mm
Flue gas connection	Back or above part
Flue collar	Male
Diameter connection to outside air	100 mm (back)
Back installation distance*	40cm
Lateral installation distance*	40cm

*Distance between the heater and combustible materials

PRODUCT PHOTOS

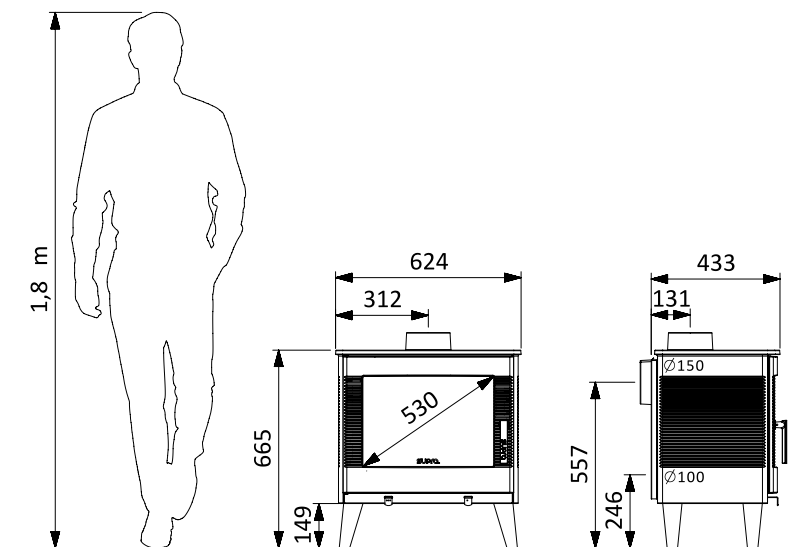


Scandinavian style with 14.9 cm high wooden legs.



Dual adjustable air inlet system (independent of each other). The modification of the secondary air intake **contributes to better combustion** as it burns the unburned gases from the primary air

DIMENSIONAL PLAN



NEW

ODÉLYA



87 to 160
m²

SUPRA.

ODÉLYA OFFERS A MODERN AESTHETIC AND A GREAT VIEW OF THE FIRE.

HORIZONTAL CAST IRON STOVES



	POWER 8.7 kW	 50cm (55 cm MAX.)	AIRTIGHT AND CONNECTIBLE	CONNECTED TO OUTSIDE AIR (in diameter) 100 mm
--	------------------------	--------------------------	-------------------------------------	---

COMBUSTION AND MATERIALS

- **Dual combustion** for more efficient and cleaner combustion (minimum CO and dust content)
- **Vermiculite sides** for improved combustion
- **Made of high quality** lamellar graphite cast iron
- **Cast iron coating** for extra strength
- **Removable** cast iron grating
- High-strength **ceramic glass**

INSTALLATION AND USE

- Back or top **flue connection** (150 mm)
- **Connectable to outside air** for more comfort (100 mm)
- **Rear protection** to protect any nearby installations
- **Adjustable flame intensity**
- **"Clean glass" system**
- **Large diagonal flame** view 60 cm (24 inches)
- Removable **large capacity ashtray**
- **Dual adjustable air inlet system** (independent of each other). The modification of the secondary air intake **contributes to better combustion** as it burns the unburned gases from the primary air

PRODUCT PERFORMANCE

Nominal power	8.7 kW
Power range	6 to 16 kW
Efficiency	77%
Seasonal efficiency	67%
CO (13 % O ₂) (mg/Nm ³)	0.08/1050
Nominal load	2.86 kg/h
Dust (mg/Nm ³)	40
NOx (mg/Nm ³)	130
VOC (OGC) (mg/Nm ³)	55
Mean flue gas temperature	301 °C
Flue gas mass flow	8.92 g/s
Nozzle depression (nominal)	12 Pa
CO ₂ emissions	9.4 %
Dual combustion	Yes
Green flame	7 stars
BBC / RT 2012 (RE 2020)	Yes
ECODESING 2022	Yes

PRODUCT INFORMATION

EAN Code:	376 007 541 335 4
Product code	FR9016140B
Main material	Cast iron
View of the fire (diagonal)	60 cm (24 inch)
Log size	50 cm (55 cm max.)
Gross weight	152 kg
Net Weight	142 kg
Dimensions LxHxD	70 x 81 x 43.3 cm
Size of pack LxHxD	73 x 96 x 49.5 cm

INSTALLATION AND SIZING

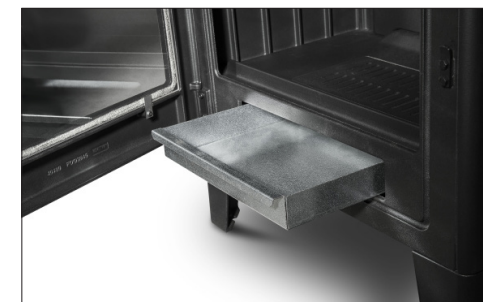
Diameter of flue gas nozzle	150 mm
Flue gas connection	Back or above part
Flue collar	Male
Diameter connection to outside air	100 mm (back)
Back installation distance*	50cm
Lateral installation distance*	70cm

*Distance between the heater and combustible materials

PRODUCT PHOTOS

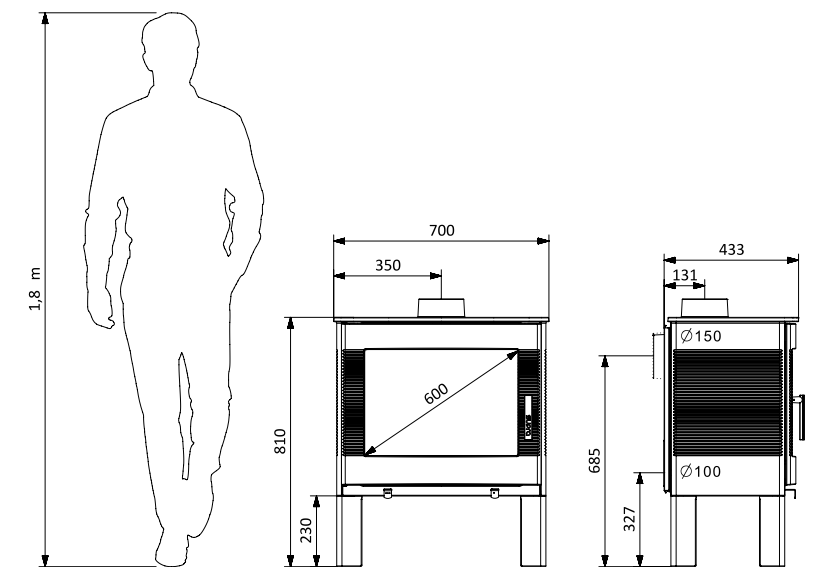


Ergonomic handle ideal for everyday use.



Large capacity **removable ashtray**.

DIMENSIONAL PLAN



NEW

ODÉLYA BÛCHER



50 to 150 m²

SUPRA.

A WOOD BURNER DESIGNED WITH A GREAT VIEW OF THE FIRE AND A WOODSHED

HORIZONTAL CAST IRON STOVES



	POWER 8.7 kW	 50cm (55 cm MAX.)	AIRTIGHT AND CONNECTIBLE	CONNECTED TO OUTSIDE AIR (in diameter) 100 mm
--	------------------------	--------------------------	---------------------------------	--

COMBUSTION AND MATERIALS

- **Dual combustion** for more efficient and cleaner combustion (minimum CO and dust content)
- **Vermiculite sides** for improved combustion
- **Made of high quality** lamellar graphite cast iron
- **Cast iron coating for extra strength**
- **Removable** cast iron grating
- High-strength **ceramic glass**

INSTALLATION AND USE

- Back or top **flue connection** (150 mm)
- **Connectable to outside air** for more comfort (100 mm)
- **Rear protection** to protect any nearby installations
- **Integrated woodshed**: a smart way to keep firewood handy
- **Load facilitated by its high height**
- Adjustable **flame intensity**
- **"Clean glass" system**
- **Large diagonal flame** view 60 cm (24 inches)
- Removable **large capacity ashtray**
- **Dual adjustable air inlet system** (independent of each other). The modification of the secondary air intake **contributes to better combustion** as it burns the unburned gases from the primary air

PRODUCT PERFORMANCE

Nominal power	8.7 kW
Power range	6 to 16 kW
Efficiency	77%
Seasonal efficiency	67%
CO (13 % O ₂) (mg/Nm ³)	0.08/1050
Nominal load	2.86 kg/h
Dust (mg/Nm ³)	40
NOx (mg/Nm ³)	130
VOC (OGC) (mg/Nm ³)	55
Mean flue gas temperature	301 °C
Flue gas mass flow	8.92 g/s
Nozzle depression (nominal)	12 Pa
CO ₂ emissions	9.4 %
Dual combustion	Yes
Green flame	7 stars
BBC / RT 2012 (RE 2020)	Yes
ECODESING 2022	Yes

PRODUCT INFORMATION

EAN Code:	376 007 541 336 1
Product code	FR9016150B
Main material	Cast iron
View of the fire (diagonal)	60 cm (24 inch)
Log size	50 cm (55 cm MAX.)
Gross weight	188 kg
Net weight	178 kg
Dimensions LxHxD	70 x 98 x 43.3 cm
Size of pack LxHxD	73 x 113 x 49.5 cm

INSTALLATION AND SIZING

Diameter of flue gas nozzle	150 mm
Flue gas connection	Back or above part
Flue collar	Male
Diameter connection to outside air	100 mm (back)
Back installation distance*	50cm
Lateral installation distance*	70cm

*Distance between the heater and combustible materials

PRODUCT PHOTOS

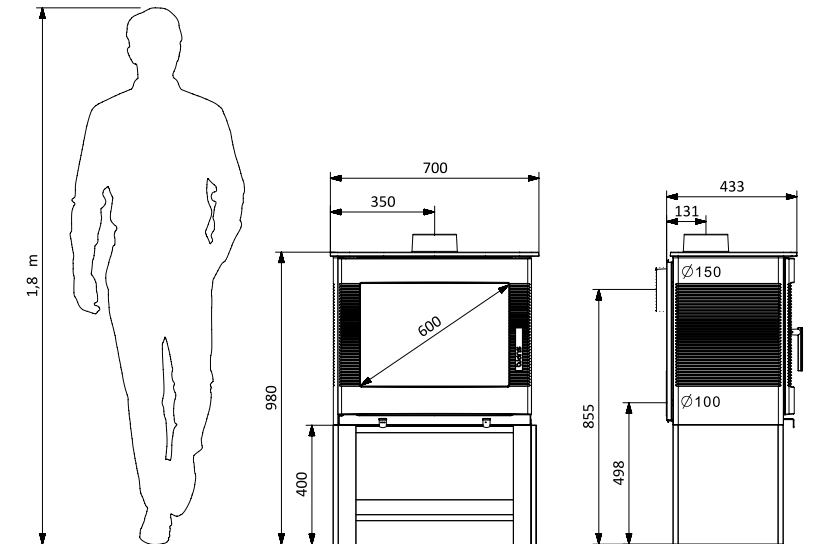


Ergonomic handle ideal for everyday use.



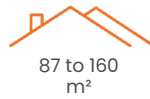
Integrated woodshed length of 70 cm for storing firewood within easy reach.

DIMENSIONAL PLAN



NEW

ODÉLYA RABAISSÉ



IDEAL FOR REFITTING AN OLD FIREPLACE, MAKING IT MORE MODERN AND INCREASING ITS HEATING CAPACITY.

HORIZONTAL CAST IRON STOVES

SUPRA.



	POWER 8.7 kW	 50cm (55 cm MAX.)	AIRTIGHT AND CONNECTIBLE	CONNECTED TO OUTSIDE AIR (in diameter) 100 mm
--	------------------------	--------------------------	---------------------------------	--

COMBUSTION AND MATERIALS

- **Dual combustion** for more efficient and cleaner combustion (minimum CO and dust content)
- **Vermiculite sides** for improved combustion
- **Made of high quality** lamellar graphite cast iron
- Cast iron coating for extra strength
- **Removable** cast iron grating
- High-strength **ceramic glass**

INSTALLATION AND USE

- Back or top **flue connection** (150 mm)
- **Connectable to outside air** for more comfort (100 mm)
- **Rear protection** to protect any nearby installations
- **Adjustable base** for levelling
- **Adjustable flame intensity**
- **"Clean glass" system**
- **Large diagonal flame** view 60 cm (24 inches)
- Removable **large capacity ashtray**
- **Dual adjustable air inlet system** (independent of each other).
The modification of the secondary air intake **contributes to better combustion** as it burns the unburned gases from the

PRODUCT PERFORMANCE

Nominal power	8.7 kW
Power range	6 to 16 kW
Efficiency	77%
Seasonal efficiency	67%
CO (13 % O ₂) (mg/Nm ³)	0.08/1050
Nominal load	2.86 kg/h
Dust (mg/Nm ³)	40
NOx (mg/Nm ³)	130
VOC (OGC) (mg/Nm ³)	55
Mean flue gas temperature	301 °C
Flue gas mass flow	8.92 g/s
Nozzle depression (nominal)	12 Pa
CO ₂ emissions	9.4 %
Dual combustion	Yes
Green flame	7 stars
BBC / RT 2012 (RE 2020)	Yes
ECODESING 2022	Yes

PRODUCT INFORMATION

EAN Code:	376 007 541 337 8
Product code	FR9016160B
Main material	Cast iron
View of the fire (diagonal)	53 cm (21 inch)
Log size	50 cm (55 cm MAX.)
Gross weight	165 kg
Net weight	155 kg
Dimensions LxHxD	70 x 60 x 43.3 cm
Size of pack LxHxD	73 x 75 x 49.5 cm

INSTALLATION AND SIZING

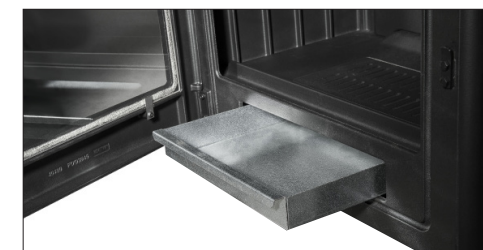
Diameter of flue gas nozzle	150mm
Flue gas connection	Back or above part
Flue collar	Male
Diameter connection to outside air	100 mm (back)
Back installation distance*	50cm
Lateral installation distance*	70cm

*Distance between the heater and combustible materials

PRODUCT PHOTOS

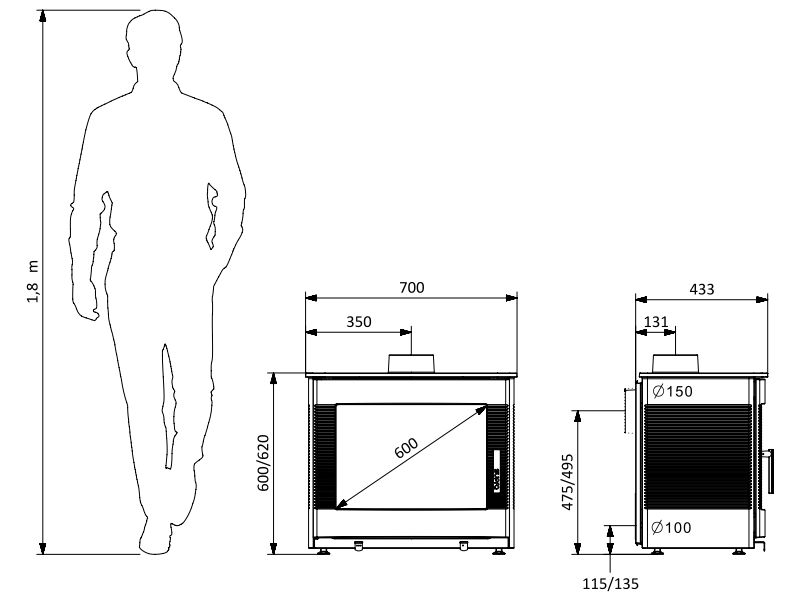


Adjustable base for perfect levelling.



Large capacity removable ashtray.

DIMENSIONAL PLAN



NEW

CHARLES



SUPRA.

EFFICIENT, TRADITIONAL LOOKING HEATER, PERFECT FOR LARGE SPACES.

HORIZONTAL CAST IRON STOVES



POWER
9 kW

50cm
(55 cm max.)

CONNECTED TO
OUTSIDE AIR
(In diameter)
75 mm

COMBUSTION AND MATERIALS

- **Dual combustion** for more efficient and cleaner combustion (minimum CO and dust content)
- **Cast iron coating** for extra strength
- Cast-iron grating and sill
- High-strength **ceramic glass**

INSTALLATION AND USE

- **Single air control** to balance primary and secondary air
- Gentle and progressive heat transfer
- This heater is perfectly suited **for medium to large spaces**
- Front loading door
- **Large size:** logs up to 55 cm
- Removable **large capacity ashtray**, accessible during operation
- **"Clean glass" system**
- **Large view of the flame** diagonally 57 cm (23 inches)
- Removable **large capacity ashtray**

PRODUCT PERFORMANCE

Nominal power	9 kW
Power range	6 to 16 kW
Efficiency	77%
Seasonal efficiency	67%
CO (13 % O ₂) (mg/Nm ³)	0.08 /1050
Nominal load	2.86 kg/h
Dust (mg/Nm ³)	40
NOx (mg/Nm ³)	130
VOC (OGC) (mg/Nm ³)	55
Mean flue gas temperature	301 °C
Flue gas mass flow	8.92 g/s
Nozzle depression (nominal)	12 Pa
CO ₂ emissions	0.094
Dual combustion	Yes
Green flame	7 stars
BBC / RT 2012 (RE 2020)	No
ECODESING 2022	Yes

PRODUCT INFORMATION

EAN Code:	376 007 541 342 2
Product code	FR9016210B
Main material	Cast iron
View of the fire (diagonal)	57 cm (23 inch)
Log size	50 cm (55 cm max.)
Gross weight	155 kg
Net weight	145 kg
Dimensions LxHxD	70 x 77.6 x 43.7 cm
Size of pack LxHxD	75 x 91.5 x 51.5 cm

INSTALLATION AND SIZING

Diameter of flue gas nozzle	150mm
Flue gas connection	Back or above part
Flue collar	Male
Diameter connection to outside air	75 mm (back)
Back installation distance*	50cm
Lateral installation distance*	70cm

*Distance between the heater and combustible materials

PRODUCT PHOTOS

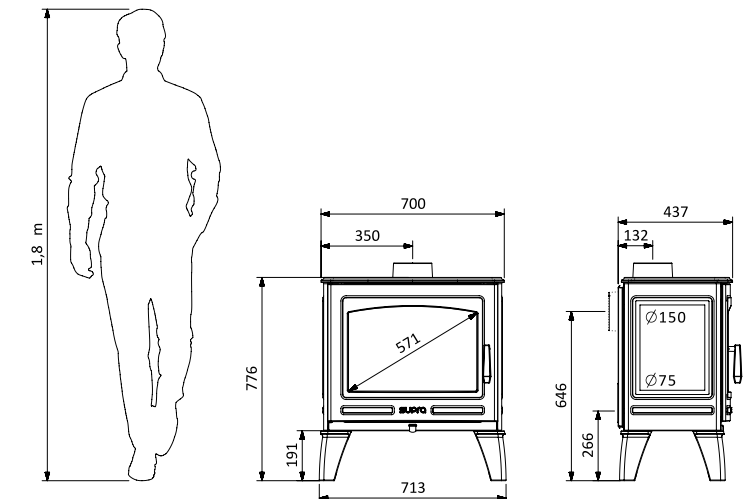


Wooden handle exclusive to the CHARLES wood burner. **Cold touch handle**, even during operation, for easy daily use



In addition to its performance, CHARLES **adds a traditional style, becoming part of your home decoration.**

DIMENSIONAL PLAN



NEW

KRIS



100 to 200
m²

SUPRO.

NORDIC ATMOSPHERE, AN INVITATION TO RELAXATION AND WELL-BEING.

HORIZONTAL CAST IRON STOVES



COMBUSTION AND MATERIALS

- **Dual combustion** for more efficient and cleaner combustion (minimum CO and dust content)
- **Vermiculite baffle**
- **Made of high quality** lamellar graphite cast iron
- **Cast iron coating** for extra strength
- Removable cast iron grating
- **Scandinavian style** wooden legs
- High-strength **ceramic glass**

INSTALLATION AND USE

- Back or top **flue connection** (150 mm)
- **Rear protection** to protect any nearby installations
- **Small installation distance** as it can be positioned 30 cm from the wall
- **Integrated handle** with a sleek design
- Adjustable primary and secondary air
- "Clean glass" system
- Removable **large capacity ashtray**

PRODUCT PERFORMANCE

Nominal power	10 kW
Power range	6 to 14 kW
Efficiency	77%
Seasonal efficiency	67%
CO (13 % O ₂) (mg/Nm ³)	0,10 / -
Nominal load	2.9 kg/h
Dust (mg/Nm ³)	18
NOx (mg/Nm ³)	105
VOC (OGC) (mg/Nm ³)	99
Mean flue gas temperature	314 °C
Flue gas mass flow	-
Nozzle depression (nominal)	12 Pa
CO ₂ emissions	10.4 %
Dual combustion	Yes
Green flame	7 stars
BBC / RT 2012 (RE 2020)	No
ECODESING 2022	Yes

PRODUCT INFORMATION

EAN Code:	376 007 541 334 7
Product code	FR9016130B
Main material	Cast iron
View of the fire (diagonal)	53 cm (21 inch)
Log size	50cm
Gross weight	176 kg
Net weight	166 kg
Dimensions LxHxD	70.2 x 91.4 x 43.2 cm
Size of pack LxHxD	72 x 77.5 x 48 cm

INSTALLATION AND SIZING

Diameter of flue gas nozzle	150mm
Flue gas connection	Back or above part
Flue collar	Male
Back installation distance*	30cm
Lateral installation distance*	45cm

*Distance between the heater and combustible materials

PRODUCT PHOTOS

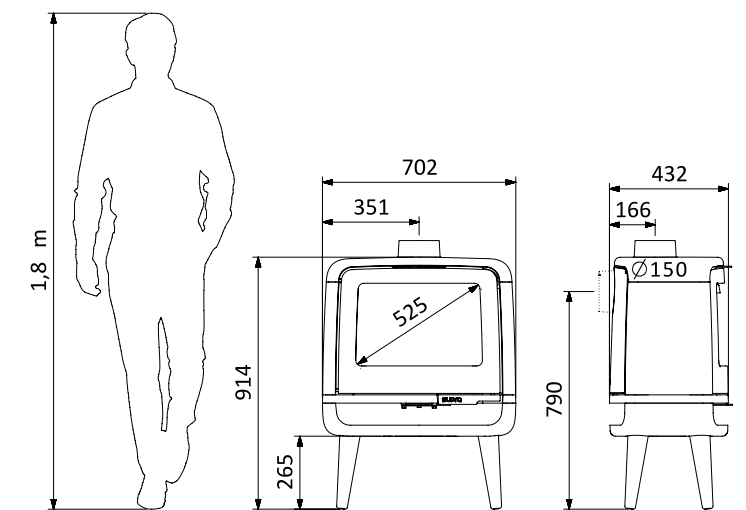


26.5 cm high wooden legs for easy log loading



Exclusive KRIS design: Curved view of the flame, diagonal of 53 cm (21 inches)

DIMENSIONAL PLAN



NEW

MAONIE

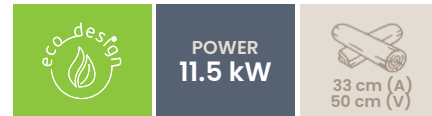


Up to 200 m²

SUPRO.

AMPLIFIED VIEW OF THE FLAME FROM ABOVE.

VERTICAL STEEL WOOD STOVES



PRODUCT PERFORMANCE

Nominal power	11.5 kW
Power range	7 to 14 kW
Efficiency	76%
Seasonal efficiency	66%
CO (13 % O ₂) (mg/Nm ³)	0.12 /1500
Nominal load	2.95 kg/h
Dust (mg/Nm ³)	23
NOx (mg/Nm ³)	98
VOC (OGC) (mg/Nm ³)	85
Mean flue gas temperature	360 °C
Flue gas mass flow	9.7 g/s
Nozzle depression (nominal)	12 Pa
CO ₂ emissions	9.14 %
Dual combustion	Yes
Green flame	7 stars
BBC / RT 2012 (RE 2020)	No
ECODESING 2022	Yes

PRODUCT INFORMATION

EAN Code:	376 007 541 339 2
Product code	FR9016180B
Main material	Cast iron
View of the fire (diagonal)	62 cm (26 inch)
Log size	33 cm (A) 50 cm (V)
Gross weight	193
Net weight	183
Dimensions LxHxD	48.4 x 112.5 x 47 cm
Size of pack LxHxD	60 x 126 x 58 cm

INSTALLATION AND SIZING

Diameter of flue gas nozzle	150mm
Flue gas connection	Back or above part
Flue collar	Male
Back installation distance*	40cm
Lateral installation distance*	60cm

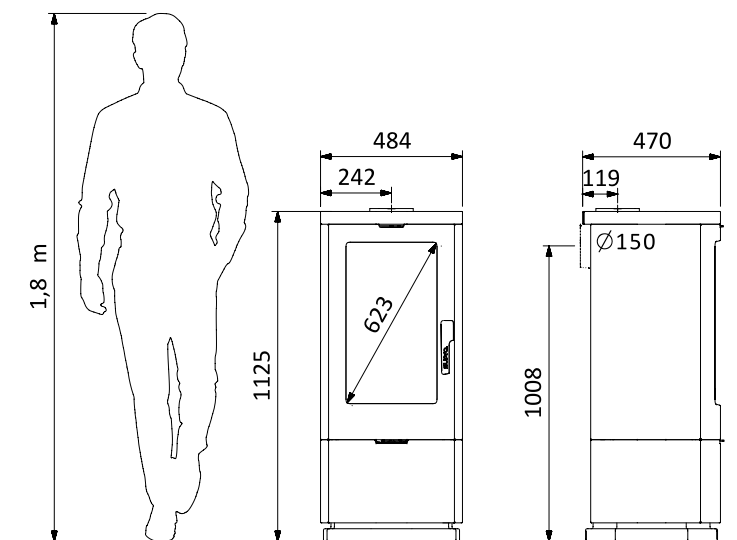
*Distance between the heater and combustible materials

PRODUCT PHOTOS



Integrated handle for a sleek design (MAONIE, MAONIE with woodshed and MAONIE with foot).

DIMENSIONAL PLAN



COMBUSTION AND MATERIALS

- **Dual combustion** for more efficient and cleaner combustion (minimum CO and dust content)
- **Vermiculite baffle**
- **Made of high quality** lamellar graphite cast iron
- **Cast iron coating** for extra strength
- Removable cast iron grating
- High-strength **ceramic glass**

INSTALLATION AND USE

- Back or top **flue connection** (150 mm)
- **Integrated handle** with a sleek design
- **Load facilitated by its high height**
- Adjustable primary and secondary air
- **"Clean glass" system**
- **Curved diagonal view** of 62 cm (24 inches)
- Removable **large capacity ashtray**

NEW

MAONIE BÛCHER

Up to 200 m²

SUPRA.

A GREAT VERTICAL VIEW OF THE FLAME WITH WOODSHED

VERTICAL STEEL WOOD STOVES




POWER 11.5 kW

 33 cm (A)
50 cm (V)

COMBUSTION AND MATERIALS

- **Dual combustion** for more efficient and cleaner combustion (minimum CO and dust content)
- **Vermiculite baffle**
- **Made of high quality** lamellar graphite cast iron
- **Cast iron coating** for extra strength
- Removable cast iron grating
- High-strength **ceramic glass**

INSTALLATION AND USE

- Back or top **flue connection** (150 mm)
- **Integrated handle** with a sleek design
- **Integrated woodshed** smart way to keep firewood handy
- **Load facilitated by its high height**
- Adjustable primary and secondary air
- **"Clean glass" system**
- **Curved diagonal view** of 62 cm (26 inches)
- Removable **large capacity ashtray**

PRODUCT PERFORMANCE	
Nominal power	11.5 kW
Power range	7 to 14 kW
Efficiency	76%
Seasonal efficiency	66%
CO (13 % O ₂) (%/mg/Nm ³)	0.12 /1500
Nominal load	2.95 kg/h
Dust (mg/Nm ³)	23
NOx (mg/Nm ³)	98
VOC (OGC) (mg/Nm ³)	85
Mean flue gas temperature	360 °C
Flue gas mass flow	9.7 g/s
Nozzle depression (nominal)	12 Pa
CO ₂ emissions	9.14 %
Dual combustion	Yes
Green flame	7 stars
BBC / RT 2012 (RE 2020)	No
ECODESING 2022	Yes

PRODUCT INFORMATION	
EAN Code:	376 007 541 341 5
Product code	FR9016200B
Main material	Cast iron
View of the fire (diagonal)	62 cm (26 inch)
Log size	33 cm (A) 50 cm (V)
Gross weight	195
Net weight	185
Dimensions LxHxD	48.4 x 112.5 x 47 cm
Size of pack LxHxD	60 x 126 x 58 cm

INSTALLATION AND SIZING	
Diameter of flue gas nozzle	150mm
Flue gas connection	Back or above part
Flue collar	Male
Back installation distance*	40cm
Lateral installation distance*	60cm

*Distance between the heater and combustible materials

PRODUCT PHOTOS

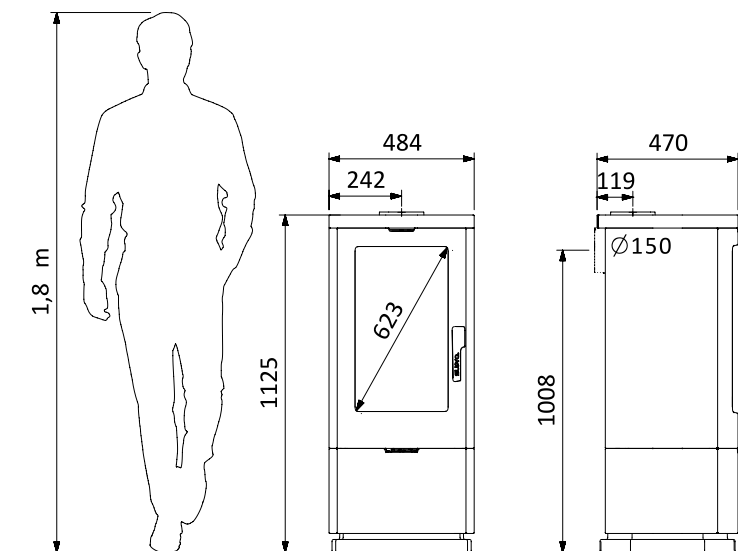


Integrated handle for a sleek design (MAONIE with woodshed, MAONIE and MAONIE with foot).



Wood compartment or storing firewood within easy reach.

DIMENSIONAL PLAN



NEW

MAONIE SUR PIED



SUPRA.

A GREAT VERTICAL VIEW OF THE FLAME WITH A SINGLE FOOT

VERTICAL STEEL WOOD STOVES



POWER
11.5 kW

33 cm (A)
50 cm (V)

COMBUSTION AND MATERIALS

- **Dual combustion** for more efficient and cleaner combustion (minimum CO and dust content)
- **Vermiculite baffle**
- **Made of high quality** lamellar graphite cast iron
- **Cast iron coating** for extra strength
- Removable cast iron grating
- High-strength **ceramic glass**

INSTALLATION AND USE

- Back or top **flue connection** (150 mm)
- **Integrated handle** with a sleek design
- **Load facilitated by its high height**
- Adjustable primary and secondary air
- **"Clean glass" system**
- **Curved diagonal view** of 62 cm (24 inches)
- Removable **large capacity ashtray**

PRODUCT PERFORMANCE	
Nominal power	11.5 kW
Power range	7 to 14 kW
Efficiency	76%
Seasonal efficiency	66%
CO (13 % O ₂) (%/mg/Nm ³)	0.12 /1500
Nominal load	2.95 kg/h
Dust (mg/Nm ³)	23
NOx (mg/Nm ³)	98
VOC (OGC) (mg/Nm ³)	85
Mean flue gas temperature	360 °C
Flue gas mass flow	9.7 g/s
Nozzle depression (nominal)	12 Pa
CO ₂ emissions	9.14 %
Dual combustion	Yes
Green flame	7 stars
BBC / RT 2012 (RE 2020)	No
ECODESING 2022	Yes

PRODUCT INFORMATION	
EAN Code:	376 007 541 340 8
Product code	FR9016190B
Main material	Cast iron
View of the fire (diagonal)	62 cm (26 inch)
Log size	33 cm (A) 50 cm (V)
Gross weight	192
Net weight	182
Dimensions LxHxD	48.4 x 112.5 x 47 cm
Size of pack LxHxD	60 x 126 x 58 cm

INSTALLATION AND SIZING	
Diameter of flue gas nozzle	150mm
Flue gas connection	Back or above part
Flue collar	Male
Back installation distance*	40cm
Lateral installation distance*	60cm

*Distance between the heater and combustible materials

PRODUCT PHOTOS

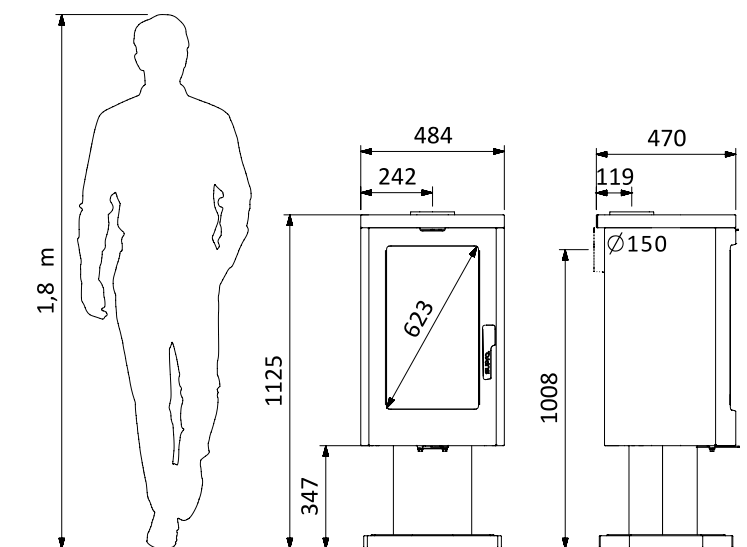


for a sleek design for a sleek design (MAONIE with foot, MAONIE with woodshed and MAONIE).



Cast iron **hollow foot style**. Its rounded contours give MAONIE WITH FOOT that special softness.

DIMENSIONAL PLAN





COMBUSTION AND MATERIALS

- **Dual combustion** for more efficient and cleaner combustion (minimum CO and dust content)
- **RE 2020 COMPATIBLE SEAL:** high level of airtightness allows combustion air control (fully channelled and controllable primary air, secondary air and window air)
- **High density vermiculite interior** for increased resistance to extremetemperatures and improved combustion
- **Removable** cast iron grating
- High-strength **ceramic glass**

INSTALLATION AND USE

- Back or top **flue connection** (125 mm)
- **Rear protection** to reduce the temperature of the rear side
- **Small installation distance**, can be placed 25 cm from the wall
- **Load facilitated** by its high height
- **Adjustable primary and secondary air**
- **"Clean glass" system**
- **Large view of the flame** diagonally 62 cm (26 inches)
- Removable **large capacity ashtray**

PRODUCT PERFORMANCE	
Nominal power	7.7 kW
Power range	6 to 12 kW
Efficiency	80.1 %
Seasonal efficiency	70.1 %
CO (13 % O ₂) (%/mg/Nm ³)	0.08 /98l
Nominal load	2.16 kg/h
Dust (mg/Nm ³)	21
NOx (mg/Nm ³)	97
VOC (OGC) (mg/Nm ³)	6l
Mean flue gas temperature	294 °C
Flue gas mass flow	6.1 g/s
Nozzle depression (nominal)	12 Pa
CO ₂ emissions	11.01 %
Dual combustion	Yes
Green flame	7 stars
BBC / RT 2012 (RE 2020)	Yes
ECODESING 2022	Yes

PRODUCT INFORMATION	
EAN Code:	376 007 541150 3
Product code	FR9010570B
Main material	Steel
View of the fire (diagonal)	63 cm (27 inch)
Log size	50 cm (62 cm max.)
Gross weight	144 kg
Net weight	118 kg
Dimensions LxHxD	89.1 x 85.4 x 41.0 cm
Size of pack LxHxD	96 x 102 x 55 cm

INSTALLATION AND SIZING	
Diameter of flue gas nozzle	150mm
Flue gas connection	Back or above part
Flue collar	Male
Diameter connection to outside air	100 mm (back)
Back installation distance*	25cm
Lateral installation distance*	15cm

*Distance between the heater and combustible materials

PRODUCT PHOTOS

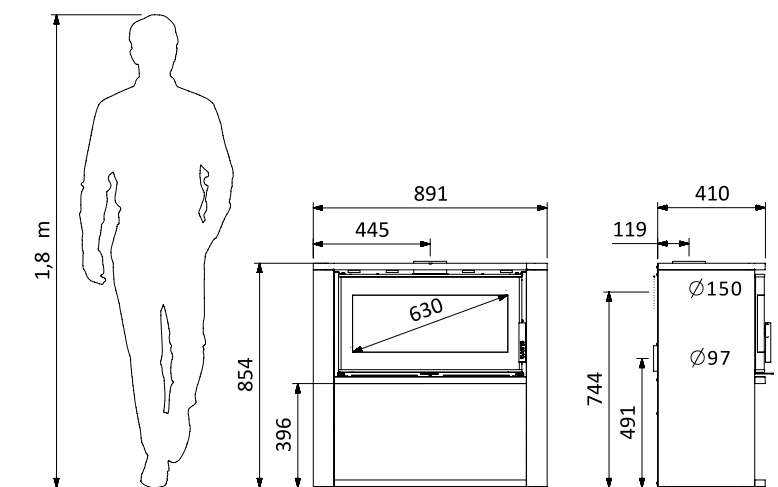


Integrated woodshed length of 89 cm for storing firewood within easy reach.



Ergonomic handle ideal for everyday use.

DIMENSIONAL PLAN

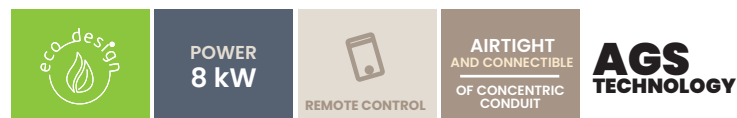


ODAYA 8 kW IN BLACK / GREY / WHITE

PELLETS BURNERS SOBER AND ELEGANT THAT WILL PLEASE YOU WITH THEIR EXCELLENT PERFORMANCE.

PELLET BURNING STOVES

SUPRA.



TECHNOLOGY AND USE

- Modern, sleek design
- **Double door:** steel and cast iron
- **Stainless steel refractory** burner
- **Detachable remote control** included
- Possibility to **regulate ventilation** by adjusting speed
- **20 kg capacity tank** to reduce the frequency of pellet loading
- **ECO-STOP** to reduce pellet consumption
- **Automatic temperature** control
- Maintenance: **easy accessibility of components** for maintenance.

INSTALLATION

- **Concentric conduit** installation
 - New house RT 2012: zone 1 and 2
 - Renovation: zone 1-2-3
- **Single conduit** installation
 - New house RT 2012: zone 1 and 2

3 colours available



PRODUCT PERFORMANCE	
Nominal power	8 kW
Power range	2.8 to 8 kW
Tank capacity	20 kg
Cordless cutting time	from 11 to 32 hours
Efficiency	92%
Seasonal efficiency	82%
Heating surface	from 80 to 160 m ²
Hourly consumption	0.63- 1.83 kg/h
CO (13 % O ₂) (%/mg/Nm ³)	0.0084 /207
Dust (mg/Nm ³)	15
NOx (mg/Nm ³)	66
VOC (OGC) (mg/Nm ³)	9
Mean flue gas temperature	127 °C
Flue gas mass flow	6.4 g/s
Nozzle depression (nominal)	12 Pa
CO ₂ emissions	9.38 %
Green flame	7 stars
BBC / RT 2012 (RE 2020)	Yes
ECODESING 2022	Yes

PRODUCT INFORMATION	
EAN Code / Product code (8 kW black)	376 007 541 236 4 / FR9011370B
EAN Code / Product code (8 kW gray)	376 007 541 237 1 / FR9011380B
EAN Code / Product code (8 kW white)	376 007 541 238 8 / FR9011390B
Main material	Steel
Silent mode (convection)	Yes
Gross weight	110 kg
Net weight	95 kg
Dimensions LxHxD	53.4 x 103.5 x 55 cm
Size of pack LxHxD	60 x 135 x 80 cm

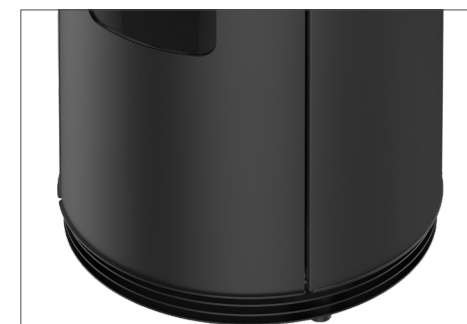
INSTALLATION AND SIZING	
Diameter of flue gas nozzle	80mm
Flue gas connection	Back
Flue collar	Male
Diameter connection to outside air	50 mm
Back installation distance*	30 cm
Lateral installation distance*	30 cm

*Distance between the heater and combustible materials

PRODUCT PHOTOS



The control panel on the top of the appliance allows to adjust the power and ventilation



Adjustable legs for perfect levelling.

DIMENSIONAL PLAN

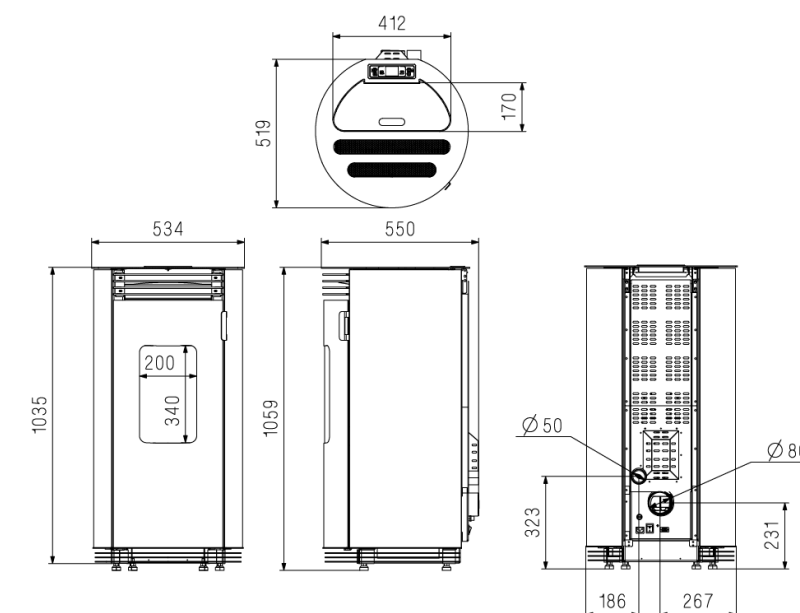


TABLE OF COMPARISONS

WOOD BURNING STOVES RANGE



PRODUCT PERFORMANCE							
NOMINAL POWER	7.3 KW	7.3 KW	7.3 KW	8.7 KW	8.7 KW	8.7 KW	9 KW
POWER RANGE	FROM 5 TO 15 kW	FROM 5 TO 15 kW	FROM 5 TO 15 kW	FROM 6 TO 16 kW	FROM 6 TO 16 kW	FROM 6 TO 16 kW	FROM 6 TO 16 kW
NOMINAL OUTPUT	78%	78%	78%	77%	77%	77%	77%
SEASONAL EFFICIENCY	68%	68%	68%	67%	67%	67%	67%
CO (13 % O2) (%/mg/Nm³)	0.09/1097	0.09/1097	0.09/1097	0.08/1050	0.08/1050	0.08/1050	0.08/1050
NOMINAL LOAD	2.46 kg/h	2.46 kg/h	2.46 kg/h	2.86 kg/h	2.86 kg/h	2.86 kg/h	2.86 kg/h
DUST (mg/Nm³)	32	32	32	40	40	40	40
NOx (mg/Nm³)	101	101	101	130	130	130	130
VOC (OGC) (mg/Nm³)	53	53	53	55	55	55	55
Mean flue gas temperature	262 °C	262 °C	262 °C	301 °C	301 °C	301 °C	301 °C
FLUE GAS MASS FLOW	6.9 g/s	6.9 g/s	6.9 g/s	8.92 g/s	8.92 g/s	8.92 g/s	8.92 g/s
NOZZLE DEPRESSION (NOMINAL)	12 Pa	12 Pa	12 Pa	12 Pa	12 Pa	12 Pa	12 Pa
CO ₂ EMISSIONS	9.35 %	9.35 %	9.35 %	9.4 %	9.4 %	9.4 %	9.4 %
DUAL COMBUSTION	YES	YES	YES	YES	YES	YES	YES
GREEN FLAME	7 STARS	7 STARS	7 STARS	7 STARS	7 STARS	7 STARS	7 STARS
BBC / RT 2012 (RE 2020)	YES	YES	YES	YES	YES	YES	NO
ECODESING 2022	YES	YES	YES	YES	YES	YES	YES
PRODUCT INFORMATION							
EAN CODE	3760075413323	3760075413330	3760075413385	3760075413354	3760075413361	3760075413378	3760075413422
PRODUCT CODE	FR9016110B	FR9016120B	FR9016170B	FR9016140B	FR9016150B	FR9016160B	FR9016210B
MAIN MATERIAL	CAST IRON	CAST IRON	CAST IRON	CAST IRON	CAST IRON	CAST IRON	CAST IRON
VIEW OF THE FIRE (DIAGONAL)	53 cm (21 INCH)	53 cm (21 INCH)	53 cm (21 INCH)	60 cm (24 INCH)	60 cm (24 INCH)	60 cm (24 INCH)	57 cm (23 INCH)
Maximum log size	33 cm (49 cm MAX.)	33 cm (49 cm MAX.)	33 cm (49 cm MAX.)	50 cm (55 cm MAX.)	50 cm (55 cm MAX.)	50 cm (55 cm MAX.)	50 cm (55 cm MAX.)
GROSS Weight	147 kg	142 kg	145 kg	152 kg	188 kg	165 kg	155 kg
NET Weight	137 kg	132 kg	135 kg	142 kg	178 kg	155 kg	145 kg
Dimensions LxHxD	62.4 x 74.6 x 43.3 cm	62.4 x 53.5 x 43.3 cm	62.5 x 66.5 x 43.3 cm	70 x 98 x 43.3 cm	70 x 81 x 43.3 cm	70 x 60 x 43.3 cm	77.6 x 70 x 43.7 cm
SIZE OF PACK LxHxD	65.5 X 83.5 X 49.5 cm	65.5 X 67 X 49.5 cm	65.5 X 83.5 X 49.5 cm	73 X 96 X 49.5 cm	73 X 113 X 49.5 cm	73 X 75 X 49.5 cm	75 X 91.5 X 51.5 cm
INSTALLATION AND SIZING							
DIAMETER OF FLUE GAS NOZZLE	150 mm	150 mm	150 mm	150 mm	150 mm	150 mm	150 mm
FLUE GAS CONNECTION	BACK OR ABOVE PART	BACK OR ABOVE PART	BACK OR ABOVE PART	BACK OR ABOVE PART	BACK OR ABOVE PART	BACK OR ABOVE PART	BACK OR ABOVE PART
FLUE COLLAR	MALE	MALE	MALE	MALE	MALE	MALE	MALE
DIAMETER CONNECTION TO OUTSIDE AIR	100 mm (BACK)	100 mm (BACK)	100 mm (BACK)	100 mm (BACK)	100 mm (BACK)	100 mm (BACK)	75 mm (BACK)
BACK INSTALLATION DISTANCE*	40 cm	40cm	40 cm	50 cm	50 cm	50 cm	50 cm
LATERAL INSTALLATION DISTANCE*	40 cm	40 cm	40 cm	70 cm	70 cm	70 cm	70 cm

PELLETS STOVES RANGE



PRODUCT PERFORMANCE					
NOMINAL POWER	10 KW	11.5 KW	11.5 KW	11.5 KW	7.7 KW
POWER RANGE	FROM 6 TO 14 kW	FROM 7 TO 14 kW	FROM 7 TO 14 kW	FROM 7 TO 14 kW	FROM 6 TO 12 kW
NOMINAL OUTPUT	77%	76%	76%	76%	80.1 %
SEASONAL EFFICIENCY	67%	66%	66%	66%	70.1 %
CO (13 % O2) (%/mg/Nm³)	0.10 /-	0.12 /1500	0.12 /1500	0.12 /1500	0.08 /981
NOMINAL LOAD	2.9 kg/h	2.95 kg/h	2.95 kg/h	2.95 kg/h	2.16 kg/h
DUST (mg/Nm³)	18	23	23	23	21
NOx (mg/Nm³)	105	98	98	98	97
VOC (OGC) (mg/Nm³)	99	85	85	85	61
Mean flue gas temperature	314 °C	360 °C	360 °C	360 °C	294 °C
FLUE GAS MASS FLOW	-	9.7 g/s	9.7 g/s	9.7 g/s	6.1 g/s
NOZZLE DEPRESSION (NOMINAL)	12 Pa	12 Pa	12 Pa	12 Pa	12 Pa
CO ₂ EMISSIONS	10.4 %	9.14 %	9.14 %	9.14 %	11.01 %
DUAL COMBUSTION	YES	YES	YES	YES	YES
GREEN FLAME	7 STARS	7 STARS	7 STARS	7 STARS	7 STARS
BBC / RT 2012 (RE 2020)	NO	NO	NO	NO	YES
ECODESING 2022	YES	YES	YES	YES	YES
PRODUCT INFORMATION					
EAN CODE	3760075413347	3760075413392	3760075413408	3760075413415	3760075411503
PRODUCT CODE	FR9016130B	FR9016180B	FR9016190B	FR9016200B	FR9010570B
MAIN MATERIAL	CAST IRON	CAST IRON	CAST IRON	CAST IRON	STEEL
VIEW OF THE FIRE (DIAGONAL)	53 cm (21 INCH)	62 cm (26 INCH)	62 cm (26 INCH)	62 cm (26 INCH)	63 cm (27 INCH)
Maximum log size	50 CM	33 cm (A) 50 cm (V)	33 cm (A) 50 cm (V)	33 cm (A) 50 cm (V)	50 cm (62 cm MÁX.)
GROSS Weight	176 kg	193 kg	192 kg	195 kg	144 kg
NET Weight	166 kg	183 kg	182 kg	185 kg	118 kg
Dimensions LxHxD	70.2 x 91.4 x 43.2 cm	48.4 x 112.5 x 47 cm	48.4 x 112.5 x 47 cm	48.4 x 112.5 x 47 cm	89.1 X 85.4 X 41.0 CM
SIZE OF PACK LxHxD	72 X 77.5 X 48 cm	60 X 126 X 58 cm	60 X 126 X 58 cm	60 X 126 X 58 CM	96 X 102 X 55 cm
INSTALLATION AND SIZING					
DIAMETER OF FLUE GAS NOZZLE	150 mm	150 mm	150 mm	150 mm	150 mm
FLUE GAS CONNECTION	BACK OR ABOVE PART	BACK OR ABOVE PART	BACK OR ABOVE PART	BACK OR ABOVE PART	BACK OR ABOVE PART
FLUE COLLAR	MALE	MALE	MALE	MALE	MALE
DIAMETER CONNECTION TO OUTSIDE AIR	WITHOUT CONNECTION TO OUTSIDE AIR	WITHOUT CONNECTION TO OUTSIDE AIR	WITHOUT CONNECTION TO OUTSIDE AIR	WITHOUT CONNECTION TO OUTSIDE AIR	100 mm (BACK)
BACK INSTALLATION DISTANCE*	30 cm	40 cm	40 cm	40 cm	25 cm
LATERAL INSTALLATION DISTANCE*	45 cm	60 cm	60 cm	60 cm	15 cm



PRODUCT PERFORMANCE	
NOMINAL POWER	8 kW
POWER RANGE	2.8 to 8 kW
TANK CAPACITY	20 kg
CORDLESS CUTTING TIME	FROM 11 TO 32 h
NOMINAL OUTPUT	92%
SEASONAL EFFICIENCY	82%
HEATING SURFACE	80 TO 160 m²
CONSUMPTION PER HOUR	0.63- 1.83 kg/h
CO (13 % O2) (%/mg/Nm³)	0.0084 - 207
DUST (mg/Nm³)	15
NOx (mg/Nm³)	66
VOC (OGC) (mg/Nm³)	9
Mean flue gas temperature	127 °C
FLUE GAS MASS FLOW	4.4 g/s
NOZZLE DEPRESSION (NOMINAL)	12 Pa
CO ₂ EMISSIONS	9.38 %
GREEN FLAME	7 STARS
CSTB	YES
ECODESING 2022	YES
PRODUCT INFORMATION	
EAN CODE / PRODUCT CODE (BLACK)	376.007 541.236 4 / FR9011370B
EAN CODE / PRODUCT CODE (GRAY)	376 007 541.237 1 / FR9011380B
EAN CODE / PRODUCT CODE (WHITE)	376 007 541.238 8 / FR9011390B
MAIN MATERIAL	STEEL
SILENT MODE (CONVECTION)	YES
GROSS Weight	110 kg
NET Weight	95 kg
Dimensions LxHxD	53.4 x 106 x 49.5 cm
SIZE OF PACK LxHxD	60 x 135 x 80 cm
INSTALLATION AND SIZING	
DIAMETER OF FLUE GAS NOZZLE	80 mm
FLUE GAS CONNECTION	BACK
FLUE COLLAR	MALE
DIAMETER CONNECTION TO OUTSIDE AIR	50 mm
BACK INSTALLATION DISTANCE*	30 cm

SUPRA.



SUPRA FRANCE



@suprafrance



supra.france.bois



SUPRA

FRANCE

28 rue du Général Leclerc - 67210 Obernai, France
www.supra.fr - www.supra-pro.fr