



Richard Le Droff



2023 COLLECTION

INSERTS

WOOD BURNERS



THE FRENCH EXPERTISE

since 1931

Richard Le Droff, true to his roots and rooted in time, pays great attention to the aesthetics and the finishing touches of its products.

Metallurgy is our trade. Cutting, folding, welding, assembly, painting, the manufacturing process requires a unique expertise.

All of Richard Le Droff's expertise is part of the creation: the coexistence of technology, shapes and materials, while respecting their uniqueness.

This range is aimed at those who see their heating appliance as a true art of living.



DEVELOP

UNCHANGABLE REALITY

Research and development is the heart of building a product. It is she who gives life to the first product prototypes. True masters of reality, engineers compete in originality to bring together ideas, techniques and materials.

DESIGNER

THINK, CREATE, ADAPT

Design is the art of imagining an object that naturally adapts to its user and its environment. It integrates a set of factors such as technology, trends, technical and economical constraints. Like a conductor between worlds, design is at the crossroads of arts and science.



PRACTICAL INFORMATION

AFTER-SALES SERVICE

AFTER-SALES SERVICE (SAV) :

From Monday to Friday from 9:00h to 17:00h

Dedicated phone number: 03 88 95 13 96 (WITHOUT CHARGE)

You can also contact the after-sales service department at the following e-mail address technique@supra.fr

SALES MANAGEMENT: 03 88 95 12 00 - advsupra@taurus.eu

For all other SUPRA FRANCE services: 03 88 95 12 00

ACCESS OUR RANGE ON THE INTERNET

VISIT: <https://www.richardledroff.com/>

RETURN POLICY

Please contact our technical service via:

E-mail: technique@supra.fr

Telephone: 03 88 95 13 96

The return policy must include:

- Name/Business name
- proof of guarantee
- purchase invoice.
- item code /model
- serial number
- date of purchase



KEEP UP TO DATE WITH RICHARD LE DROFF NEWS

We invite you to follow us on our social media networks and have access to other types of content.

Example of content on our social media networks:

- Product installation photos
- Information content on the use of our products
- Discovery of new products
- Contents related to our business sector



@richardledroff67



@richardledroff





HONORÉ 600

P.10-11



HONORÉ 700

P.10-11



HONORÉ 800

P.12-13



HONORÉ 800 HORIZON

P.12-13



HONORÉ 1000

P.14-15



CLOVIS 800

P.16-17



VALAIS 650T

P.18-19



BELLEVILLE 700C

P.22-23



BELLEVILLE 700 CL

P.22-23



MONTMARTRE 800 C

P.24-25



MONTMARTRE 800 P

P.24-25



MONTMARTRE 1000 C

P.24-25



LE MARAIS MURAL 700

P.26-27



SAINT GERMAIN MURAL 800

P.26-27



ISERE

P.28-29



SUMMARY OF OUR COLLECTION

INSERTS

The range of inserts proposed by Richard Le Droff is the answer to your needs, both for new constructions and renovation projects.

Need to replace your old fireplace? Would you like to install an open fireplace? Or would you like to build an insert? We offer you a powerful heating solution tailored to your needs.

Quality interiors that contribute to well-being, which is why we offer a wide selection of shapes, styles, materials and flame views.



HONORÉ 600 / HONORÉ 700

The ingenious design of HONORÉ inserts makes them perfect for open fireplaces as well as for creating a hearth. They will find their place in both modern and traditional interiors. These appliances will add a chic touch, thanks to the black screen-printed outer glass, integrated handles and high-quality materials.



HONORÉ 600
FR9011090B
EAN: 3760075412081



HONORÉ 700
FR9011100B
EAN: 3760075412098



Photo of the Honoré 600 depth



State-of-the-art heating element for more efficient and cleaner combustion.



AESTHETICS

- Front-opening door in high-strength screen-printed ceramic glass
- Standard frame for a perfect finish
- Ergonomic handle ideal for everyday use

COMBUSTION

Honoré inserts are airtight, allowing perfect control of combustion air (primary air, secondary air and window air fully channelled and adjustable) and are equipped with 2 steel and stainless steel deflectors lined with vermiculite (removable without tools) which participate in combustion. In addition, its secondary air ramp allows to create an efficient dual combustion.

Natural heat transfer to the front of the appliance for optimum comfort.



Photo of the Honoré 700

USE

- Individual air control for combustion control
- Easy access ashtray
- Possibility of directing the convection air to the air distribution or to the room (installation, only in fireplaces)
- Turbine: 2 ventilation powers (180m³/h)-(optional)
- "Clean glass" system

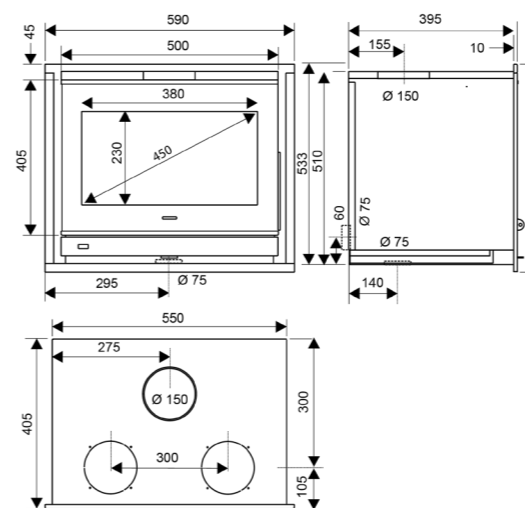
MATERIALS

- Thick steel firebox
- Cast iron hearth plate with secondary air ramp
- Cast-iron sill and grating (3 pieces for HONORÉ 700 and 2 for HONORÉ 600)

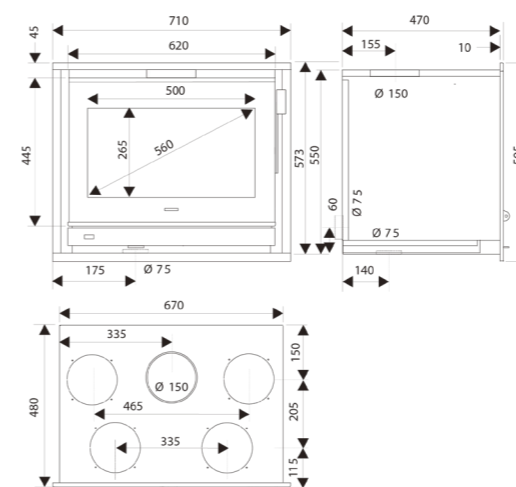
INSTALLATION

- Primary, secondary and channelled window air
- Fully enclosed appliance for maximum comfort and safety

HONORÉ 600



HONORÉ 700



SPECIFICATIONS

| PRODUCT INFORMATION | | |
|---|---|----------------|
| Model | HONORÉ 600 | HONORÉ 700 |
| Log size (cm) | 33 (43 max) | 50 (55 max) |
| Warranty | 5 years (for heating element) and 2 years (for parts) | |
| Dimensions LxHxD (cm) | 59 x 55.5 x 40.5 | 71 x 59.5 x 48 |
| Gross weight (kg) | 99 | 122 |
| Net weight (kg) | 88 | 99 |
| PRODUCT PERFORMANCE | | |
| Nominal Power (kW) | 6 | 8 |
| Power range (kW) | 3 to 10 | 5 to 14 |
| Efficiency (%) | 75 | 85 |
| Seasonal efficiency (%) | 65 | 75 |
| CO ₂ emission (13 % O ₂) (%/mg/Nm ³) | 0.09/- | 0.09/1170 |
| Dual combustion | Yes | |
| Ecodesting | Yes | |
| Airtight | Yes | |
| INSTALLATION AND SIZING | | |
| Ø combustion gas outlet nozzle (mm) | 150 | |
| Flue gas connection | above | |
| Flue collar | Male | |
| Ø combustion gas inlet nozzle (mm) | 75 (bottom and back) | |
| Mean flue gas temperature | 220 °C | 174 °C |
| Flue gas mass flow (g/s) | 4.7 | 6.8 |
| Nozzle depression for sizing | 12 Pa | |
| CO ₂ emission (%) | 11.6 | 9.1 |
| Back installation distance (cm) | 5 | |
| Lateral installation distance (cm) | 5 | |

OPTIONS (see page 30-31)

The ingenious design of HONORÉ inserts makes them perfect for open fireplaces as well as for creating a hearth. They will find their place in modern or traditional interiors. These appliances will add a chic touch, thanks to the black screen-printed outer glass, integrated handles and high-quality materials.



HONORÉ 800
 FR901110B
 EAN: 3760075412104



HONORÉ 800 HORIZON
 FR9011120B
 EAN: 3760075412111



AESTHETICS

- Screen-printed ceramic glass front-opening door
- Ergonomic handle ideal for everyday use
- Standard frame for a perfect finish



Cast iron interior for extra strength (HONORÉ 600, 700, 800, 800 HORIZON)

Photo of the HONORÉ 800 HORIZON

MATERIALS

- Thick steel firebox
- Standard frame for a perfect finish
- Cast-iron floor sill and grating (3 pieces)
- "Clean glass" system



Photo of the HONORÉ 800

COMBUSTION

Honoré inserts are airtight, allowing perfect control of combustion air (primary air, secondary air and window air fully channelled and adjustable) and are equipped with 2 steel and stainless steel deflectors lined with vermiculite (removable without tools) which are involved in combustion. In addition, its secondary air ramp creates an efficient dual combustion.

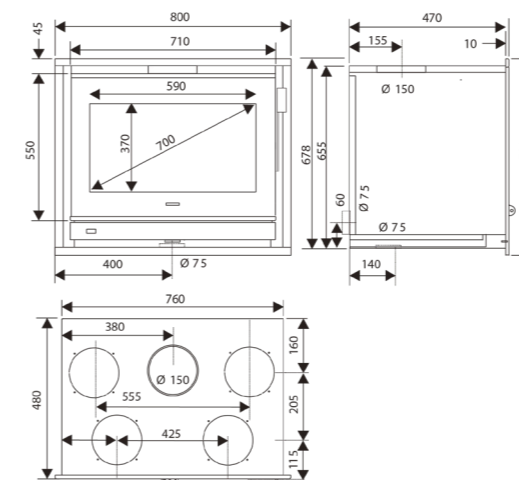
INSTALLATION

- Primary, secondary and channelled window air
- State-of-the-art heating element for more efficient and cleaner combustion.
- Fully enclosed appliance for maximum comfort and safety

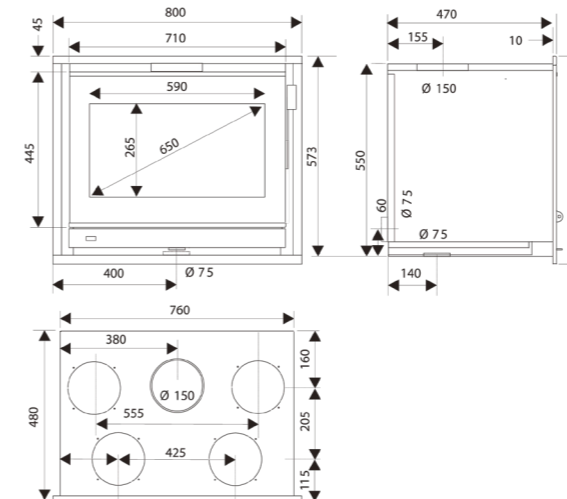
USE

- Single air control to regulate combustion
- Easy access ashtray
- Possibility of directing convection air to the air distribution or to the room (installation, only in hearths)
- Turbine: 2 ventilation powers (180m³/h)-(optional)

HONORÉ 800



HONORÉ 800 HORIZON



SPECIFICATIONS

| PRODUCT INFORMATION | | |
|-------------------------------------|---|--------------------|
| Model | HONORÉ 800 | HONORÉ 800 HORIZON |
| Log size (cm) | 50 (60 max) | |
| Warranty | 5 years (for heating element) and 2 years (for parts) | |
| Dimensions L x A x P (cm) | 80 x 70 x 48 | 80 x 59.5 x 48 |
| Gross weight (kg) | 147 | 136 |
| Net weight (kg) | 121.5 | 110.5 |
| PRODUCT PERFORMANCE | | |
| Nominal Power (kW) | 10.6 | 10 |
| Power range (kW) | 7 to 14 | |
| Efficiency (%) | 76.7 | 78 |
| Seasonal efficiency (%) | 66.7 | 68 |
| CO2 emission (13 % O2) (%/mg/Nm³) | 0,09 / - | |
| Dual combustion | Yes | |
| Ecodesing | Yes | |
| Airtight | Yes | |
| INSTALLATION AND SIZING | | |
| Ø combustion gas outlet nozzle (mm) | 150 | |
| Flue gas connection | above | |
| Flue collar | Male | |
| Ø combustion gas inlet nozzle (mm) | 75 (bottom and back) | |
| Mean flue gas temperature | 326 °C | |
| Flue gas mass flow (g/s) | 8.75 | 8 |
| Nozzle depression for sizing | 12 Pa | |
| CO ₂ emission (%) | 10.43 | 11 |
| Back installation distance (cm) | 5 | |
| Lateral installation distance (cm) | 5 | |

OPTIONS (see page 30-31)

The ingenious design of HONORÉ inserts makes them ideal for open fireplaces as well as for creating a hearth. They will find their place in both modern and traditional interiors. These appliances will add a chic touch, thanks to the black screen-printed outer glass, integrated handles and high-quality materials.

Panoramic view of the fire to be enjoyed in style



AESTHETICS

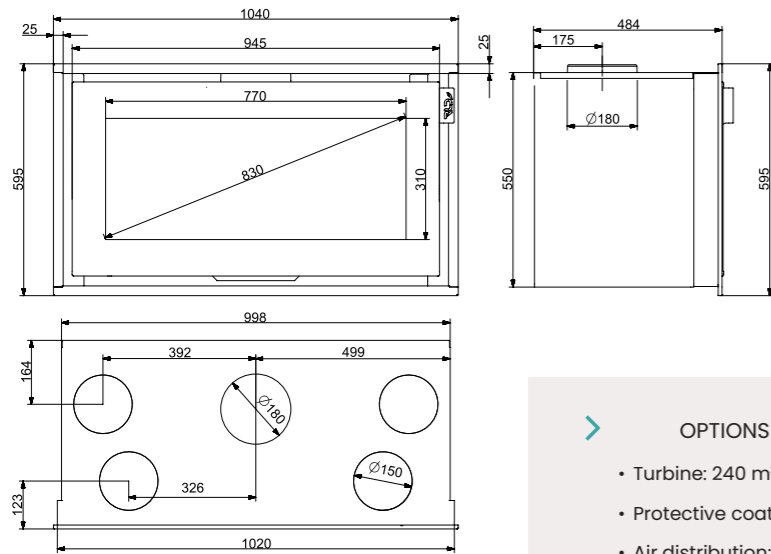
- Front-opening door in high-strength screen-printed ceramic glass
- Standard frame for a perfect finish
- Ergonomic handle ideal for everyday use

INSTALLATION

- Ingenious design suitable for both the installation of open fireplaces and the creation of a hearth
- Primary, secondary and channelled window air

OPTIONS (see page 30-31)

- Turbine: 240 m³/h to be mounted with coating 1000 and plinth PS100
- Protective coating
- Air distribution:
 - 2 collars Ø125 mm
 - 2 collars Ø150 mm
- Pedestal
- Beam protection kit



MATERIALS

- Thick steel firebox
- Vermiculite-reinforced steel plate interior
- Cast-iron floor sill and grating (3 pieces)



Perforated air distributor (optional)



Vermiculite and steel reinforced interior.

USE

- Individual air control for combustion control
- Easy access ashtray
- Possibility of directing convection air to the air distribution or to the room (installation, only in hearths)
- Turbine: 2 ventilation powers (240m³/h)-(optional)
- "clean glass" system

COMBUSTION

Honoré inserts are airtight, allowing perfect control of combustion air (primary air, secondary air and window air fully channelled and adjustable) and are equipped with 2 steel and stainless steel deflectors lined with vermiculite (removable without tools) which participate in combustion. In addition, its secondary air ramp allows to create an efficient dual combustion.

SPECIFICATIONS

| PRODUCT INFORMATION | |
|---|----------------------|
| Model | HONORÉ 1000 |
| Log size (cm) | 50 (80 max) |
| Warranty* | 5 years |
| Dimensions LxHxD (cm) | 104 x 59.5 x 48 |
| Gross weight (kg) | 190 |
| Net weight (kg) | 160 |
| PRODUCT INFORMATION | |
| Nominal Power (kW) | 10 |
| Power range (kW) | 7 to 14 |
| Efficiency (%) | 77 |
| Seasonal efficiency (%) | 67 |
| CO ₂ emission (13 % O ₂) (%/mg/Nm ³) | 0.08/1040 |
| Dual combustion | Yes |
| Ecodesing | Yes |
| Airtight | Yes |
| INSTALLATION AND SIZING | |
| Ø combustion gas outlet nozzle (mm) | 180 |
| Flue gas connection | up |
| Flue collar | Male |
| Ø combustion gas inlet nozzle (mm) | 75 (bottom and back) |
| Mean flue gas temperature | 256 °C |
| Flue gas mass flow (g/s) | 8.9 |
| Nozzle depression for sizing | 12 Pa |
| CO ₂ emission (%) | 8.2 |
| Back installation distance (cm) | 5 |
| Lateral installation distance (cm) | 5 |

*2 years for parts and 5 years for heating



HONORÉ 1000
FR9011150B
EAN: 3760075412142



With its traditional appearance, this insert fits into both modern and rustic settings. Ideal for equipping fireplaces, CLOVIS 800 brings warmth and comfort to your home.



CLOVIS 800
FR9011170B
EAN: 3760075412166



- > MATERIALS
- Thick steel firebox
 - Cast iron hearth plate
 - Cast iron grate and hearth plate



Individual air control for combustion control

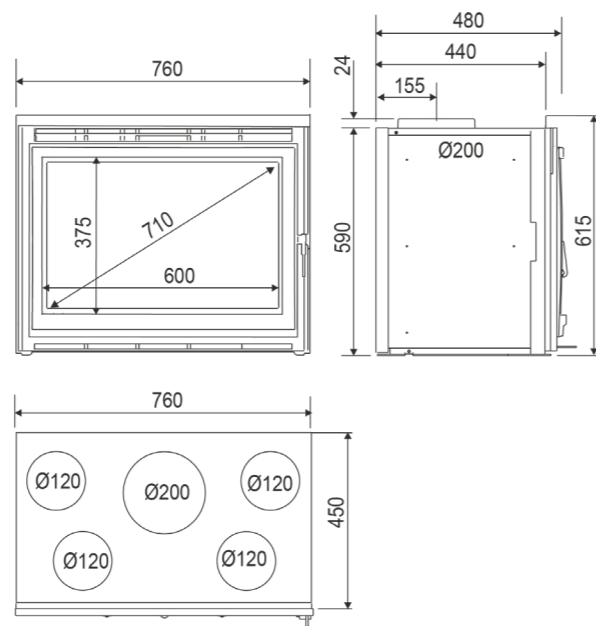


> SPECIFICATIONS

| PRODUCT INFORMATION | |
|--|----------------|
| Model | CLOVIS 800 |
| Log size (cm) | 50 (60 max) |
| Warranty* | 5 years |
| Dimensions LxHxD(cm) | 76 x 61.5 x 48 |
| Gross weight (kg) | 142 |
| Net weight (kg) | 110 |
| PRODUCT INFORMATION | |
| Nominal Power (kW) | 9.5 |
| Power range (kW) | 7 to 14 |
| Efficiency (%) | 75 |
| Seasonal efficiency (%) | 65 |
| CO2 emission (13 % O2) (%/mg/Nm ³) | 0.104/1300 |
| Dual combustion | Yes |
| Ecodesing | Yes |
| Airtight | No |
| INSTALLATION AND SIZING | |
| Ø combustion gas outlet nozzle (mm) | 200 |
| Flue gas connection | above |
| Flue collar | Male |
| Mean flue gas temperature | 405 °C |
| Flue gas mass flow (g/s) | 9 |
| Nozzle depression for sizing | 12 Pa |
| CO ₂ emission (%) | 9.16 |
| Back installation distance (cm) | 4 |
| Lateral installation distance (cm) | 30 |

> INSTALLATION

- Primary, secondary and channelled window air
- Fully coated appliance for maximum comfort and safety.

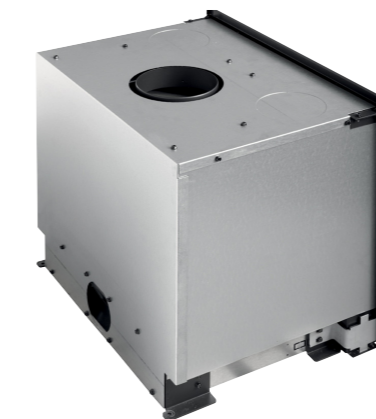


> OPTIONS (see page 30-31)

- Turbine: 180 m³/h
- Air distribution:
 - 4 collars Ø125 mm
 - 2 collars Ø150 mm
- Beam protection kit
- Feet

> USE

- Easy access ashtray
- Possibility of directing the convection air towards the air distribution or towards the room (installation only in hearths)
- Turbine: 2 ventilation powers (180m³/h)-(optional)
- "clean glass" system



PERFORATED AIR DISTRIBUTION



REVERSIBLE HEARTH PLATE

> AESTHETICS

- Front opening cast iron door
- Reversible hearth plate for traditional aesthetics
- Large diagonal view 71 cm (27 inches) of the flame
- Standard protective coating

> COMBUSTION

- Dual combustion for greater efficiency and environmental friendliness (minimal CO and dust)
- High-performance heating element with stainless steel baffle
- Natural heat transfer to the front of the appliance for optimum comfort.
- 2 turbines fitted as standard to distribute the heat in the room

Classic and timeless, this insert finds its place in both contemporary and rustic interiors. Ideal for equipping fireplaces, VALAIS 650T you will love its performance.



VALAIS 650T
FR9011200B
EAN: 3760075412197

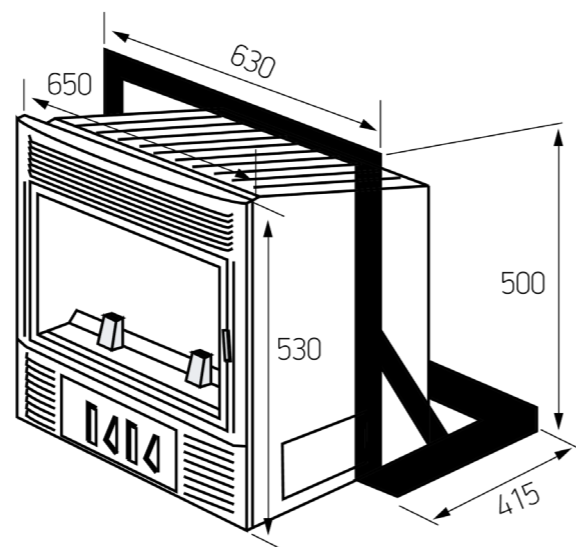
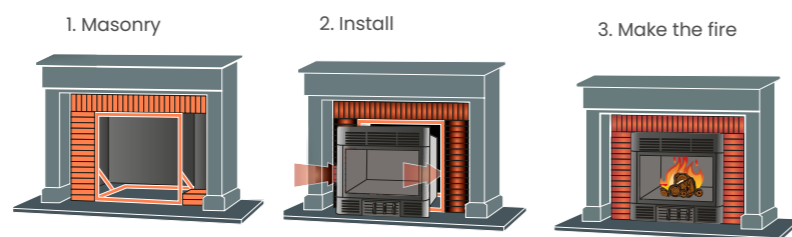


SPECIFICATIONS

| PRODUCT INFORMATION | |
|---|----------------|
| Model | VALAIS 650T |
| Log size (cm) | 45 (50 max) |
| Warranty* | 5 years |
| Dimensions LxHxD (cm) | 65 x 53 x 41.5 |
| Gross weight (kg) | 97 |
| Net weight (kg) | 78 |
| PRODUCT PERFORMANCE | |
| Nominal Power (kW) | 6 |
| Power range (kW) | 3 to 10 |
| Efficiency (%) | 78 |
| Seasonal efficiency (%) | 68 |
| CO ₂ emission (13 % O ₂) (%/mg/Nm ³) | 0.103/1282 |
| Dual combustion | Yes |
| Ecodesing | Yes |
| Airtight | No |
| INSTALLATION AND SIZING | |
| Ø combustion gas outlet nozzle (mm) | - |
| Flue gas connection | - |
| Flue collar | - |
| Mean flue gas temperature | 242 °C |
| Flue gas mass flow (g/s) | 7.5 |
| Nozzle depression for sizing | 12 Pa |
| CO ₂ emission (%) | 7.16 |
| Back installation distance (cm) | - |
| Lateral installation distance (cm) | - |

INSTALLATION

- In an open fireplace, it can be installed without a flue pipe



*2 years for parts and 5 years for heating elements

OPTIONS (see page 30-31)
Wooden beam protection kit.



Ingenious design suitable for both the installation of open fireplaces and the creation of a hearth.

MATERIALS

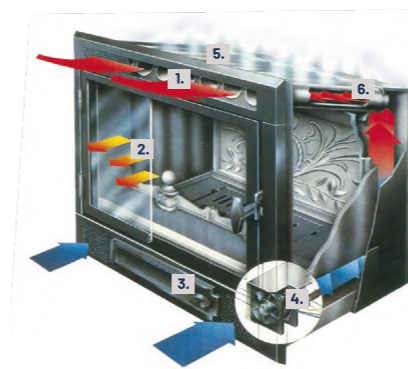
- Cast iron heating element
- Cast iron hearth plate
- Cast iron grating

AESTHETICS

- Front open castiron door for rustic aesthetics
- Ceramic door with "clean glass" system

USE

- Easy access and large capacity ashtray for spaced ash removal
- Possibility of directing the convection air towards the air distribution or towards the room (installation only in hearths)
- "Clean glass" system designed for everyday use.



- Pulsed hot air outlet
- Ceramic door with "clean glass" system
- Large capacity ashtray for spacing out ash emptying.
- Fresh air intake at the turbine site
- The hot flue gases pass between the heat exchanger tubes and are discharged directly into the drain of the old fireplace; no connection work to the old flue duct is required during installation.
- The use of tubes for hot air circulation ensures the largest heat exchange surface and promotes higher efficiency. The hot air circuit is completely independent of the flue gas circuit.

COMBUSTION

- Dual combustion for greater efficiency and environmental friendliness (minimal CO and dust)
- High performance heating element



In keeping with the current trend, our wood burners save energy. Its aesthetic appeal blends in with any environment and appeals to a wide range of people.

The view of the fire becomes a design and the comfort is complete.

Whether as primary or supplementary heating, wood burners are becoming increasingly popular among consumers for their ecological, economical and aesthetic features.

Firewood is a clean and renewable energy source that avoids the use of fossil fuels. It is also a source of energy that is hardly affected by price fluctuations.

The wood burner is one of the few decorative means of heating. In any home, it definitely enhances the living room in which it is installed.

WOOD BURNERS

BELLEVILLE 700C / BELLEVILLE 700CL

Everything has been thought of in the BELLEVILLE wood burner so that you can fully enjoy the spectacle of the fire from the living room. Its cubic design brings elegance and a chic air to your home. In addition, its integrated woodshed allows you to have firewood at your fingertips.



BELLEVILLE 700C
FR9011010B
EAN: 3760075412005



BELLEVILLE 700CL
FR9011002B
EAN: 3760075412012



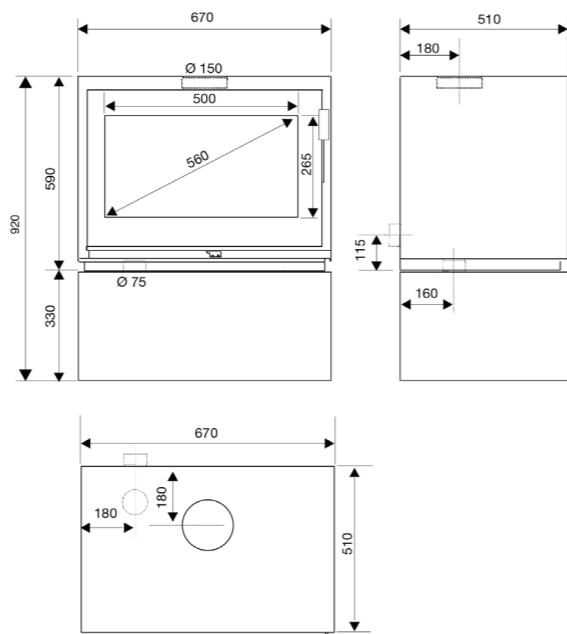
SPECIFICATIONS

| PRODUCT INFORMATION | | |
|-------------------------------------|-------------------------|------------------|
| Model | BELLEVILLE 700C | BELLEVILLE 700CL |
| Log size (cm) | 50 (55 max) | |
| Warranty* | 5 years | |
| Dimensions LxHxD (cm) | 67 x 92 x 51 | 100 x 92 x 51 |
| Gross weight (kg) | 191 | 197 |
| Net weight (kg) | 164 | 166 |
| PRODUCT PERFORMANCE | | |
| Nominal Power (kW) | 7.9 | |
| Power range (kW) | 5 to 14 | |
| Efficiency (%) | 75 | |
| Seasonal efficiency (%) | 65 | |
| CO2 emission (13% O2) (%/mg/Nm³) | 0.09 - 1125 | |
| Dual combustion | Yes | |
| Ecodesing | Yes | |
| Airtight | Yes | |
| INSTALLATION AND SIZING | | |
| Ø combustion gas outlet nozzle (mm) | 150 | |
| Flue gas connection | above | |
| Flue collar | Male | |
| Ø Combustion air inlet nozzle | 75 mm (bottom and back) | |
| Mean flue gas temperature | 278 °C | |
| Flue gas mass flow (g/s) | 10 | |
| Nozzle depression for sizing | 12 Pa | |
| CO ₂ emission (%) | 8.14 | |
| Back installation distance (cm) | 30 | |
| Lateral installation distance (cm) | 30 | |

*2 years for parts and 5 years for heating elements

INSTALLATION

- Plinth drawer (standard) for storing accessories or firewood (67 cm long woodshed for BELLEVILLE 700C)
- 1 metre wide XXL woodshed (BELLEVILLE 700CL)
- 4 adjustable feet ensure perfect levelling of the appliance.



BELLEVILLE 700C



Integrated woodshed for storing firewood within easy

AESTHETICS

- Front opening door
- Cubic design
- Thick-walled steel black coating (front and back)
- Chic and elegant appearance

COMBUSTION

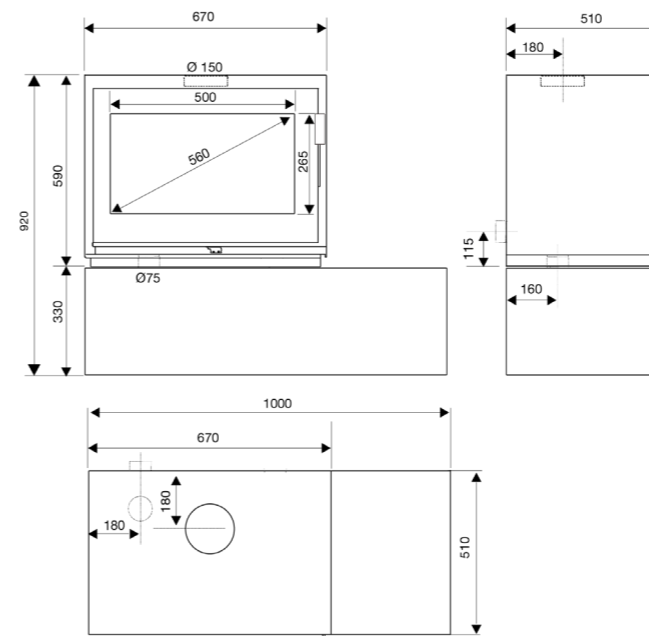
State-of-the-art heating body for more efficient and cleaner combustion (minimum CO and dust content) thanks to essential factors:

- Its airtightness for perfect combustion air control (primary air, secondary air and window air fully channelled and controllable)
- Its 2 vermiculite-coated steel and stainless steel baffles (removable without tools)
- A secondary air ramp for efficient dual combustion

Natural heat transfer to the front of the appliance for optimum comfort.

USE

- Easily accessible ashtray that allows easy maintenance
- Individual air control for combustion control
- "Clean glass" System



BELLEVILLE 700CL

Comfort and fulfilment are synonymous with MONTMARTRE. This cleanly designed wood burner creates a warm and fascinating atmosphere with its xxl view of the fire. You can choose between a wood log storage or a base, but the comfort and performance remain the same.



MONTMARTRE 800C
FR9011040B
EAN: 3760075412036



MONTMARTRE 800P
FR9011050B
EAN: 3760075412043



MONTMARTRE 1000C
FR9011070B
EAN: 3760075412067



> SPECIFICATIONS

| PRODUCT INFORMATION | | | |
|-------------------------------------|-------------------------|-----------------|-------------------------|
| Model | MONTMARTRE 800C | MONTMARTRE 800P | MONTMARTRE 1000C |
| Log size (cm) | 50 cm (60 max.) | | 50 cm (80 max.) |
| Warranty* | 5 years | | |
| Dimensions LxHxD (cm) | 76 x 92 x 51 | 76 x 93.3 x 51 | 100 x 92 x 51 |
| Gross weight (kg) | 232 | 231 | 282 |
| Net weight (kg) | 205 | 204 | 251 |
| PRODUCT PERFORMANCE | | | |
| Nominal Power (kW) | 8.8 | | 11 |
| Power range (kW) | 7 to 14 | | |
| Efficiency (%) | 77 | 77.1 | 78.2 |
| Seasonal efficiency (%) | 67 | 67 | 68 |
| CO2 emission (13% O2) (%/mg/Nm³) | 0.08 /1047 | | 0.08/977 |
| Dual combustion | Yes | | |
| Ecodesing | Yes | | |
| Airtight | Yes | | |
| INSTALLATION AND SIZING | | | |
| Ø combustion gas outlet nozzle (mm) | 150 | | 180 |
| Flue gas connection | up | | |
| Flue collar | Male | | |
| Ø Combustion air inlet nozzle | 75 mm (bottom and back) | 75 mm (back) | 75 mm (bottom and back) |
| Mean flue gas temperature | 327.9 °C | | 326 °C |
| Flue gas mass flow (g/s) | 6.91 | | 8.35 |
| | 12 Pa | | |
| CO2 emission (%) | 11.3 | | 11.8 |
| Back installation distance (cm) | 35 | | 25 |
| Lateral installation distance (cm) | 25 | | 20 |

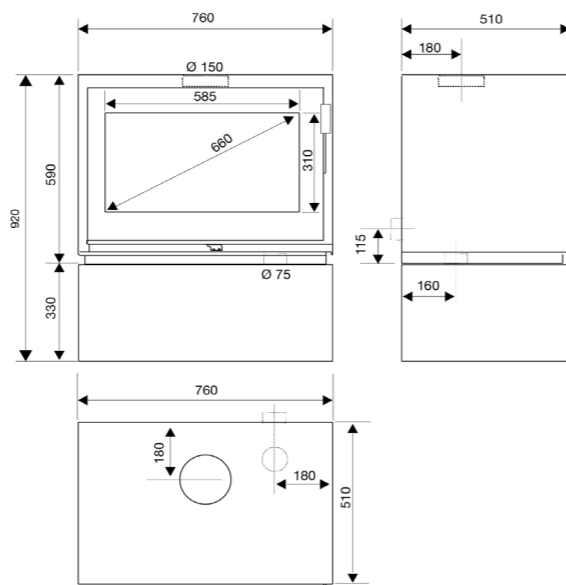
*2 years for parts and 5 years for heating elements

> COMBUSTION

State-of-the-art heating body for more efficient and cleaner combustion (minimum CO and dust content) thanks to essential factors:

- Its airtightness for perfect combustion air control (primary air, secondary air and window air fully channelled and controllable)
- Its 2 vermiculite-coated steel and stainless steel baffles (removable without tools)
- A secondary air ramp for efficient dual combustion

Natural heat transfer to the front of the appliance for optimum comfort.



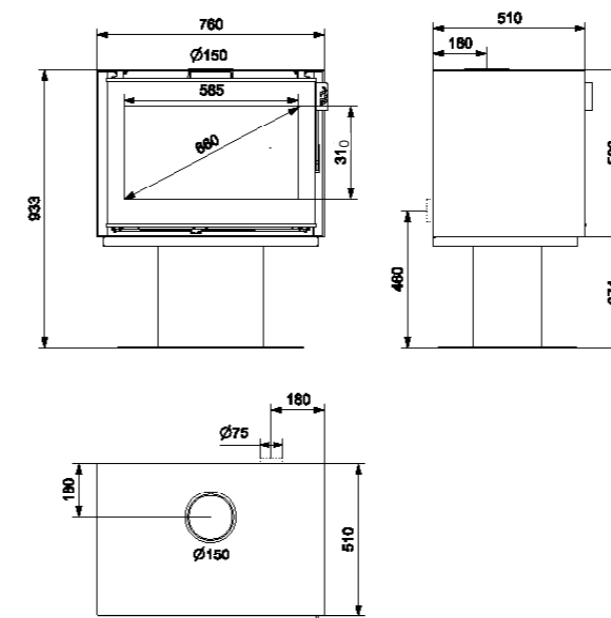
MONTMARTRE 800C

> AESTHETICS

- High handles
- Front opening door
- Cubic design with sober, refined finishes
- Thick-walled steel black coating (front and back)

> USE

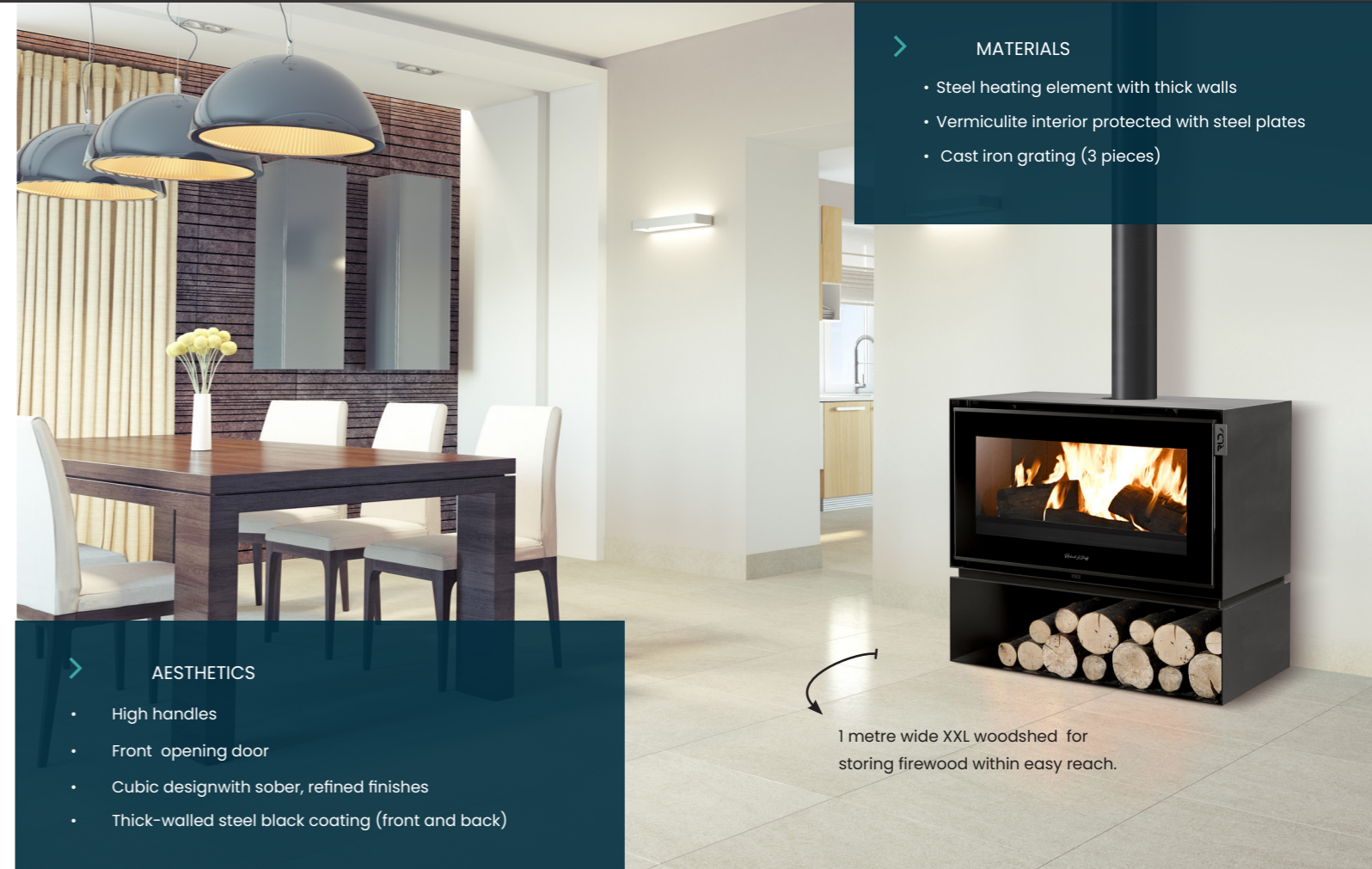
- Easily accessible ashtray that allows easy maintenance
- Individual air control for combustion control
- "clean glass" system



MONTMARTRE 800P

> MATERIALS

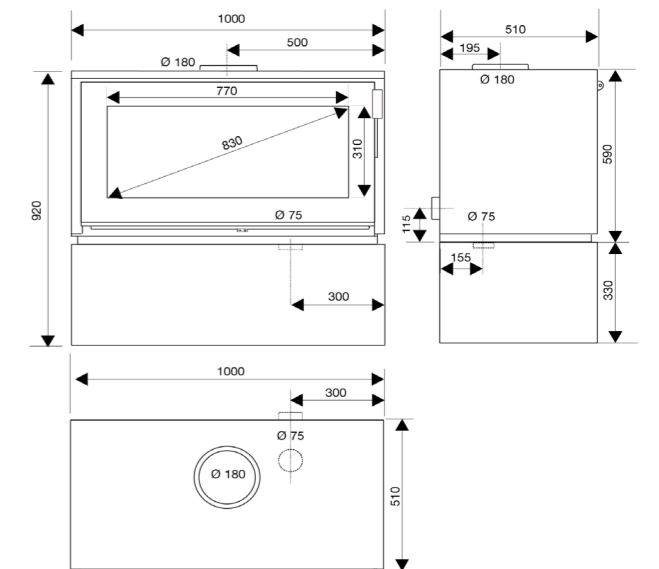
- Steel heating element with thick walls
- Vermiculite interior protected with steel plates
- Cast iron grating (3 pieces)



1 metre wide XXL woodshed for storing firewood within easy reach.

> INSTALLATION

- Wood log storage (standard) for storing accessories or firewood (76 cm long woodshed for MONTMARTRE 800C)
- 1 metre wide XXL drawer plinth (MONTMARTRE 1000C)
- 4 adjustable feet ensure perfect levelling of the device.



MONTMARTRE 1000C

LE MARAIS MURAL 700 / SAINT GERMAIN MURAL 800

In their search for new aesthetic solutions, these wall mounted wood stove revive any décor. Suspended, these appliances can be placed anywhere in the room, allowing you to enjoy the most original decorative options. Finally, the spectacle of the flames reconciles effective heating with visual pleasure.



- MATERIALS**
- Cast-iron floor sill and grating (3 pcs)
 - Thick-walled (3 mm) steel plate and fixing hooks
 - Integrated fixing frame at the back of the thick-walled steel appliance

SPECIFICATIONS

| PRODUCT INFORMATION | | |
|-------------------------------------|---------------------|-------------------------|
| Model | LE MARAIS MURAL 700 | SAINT GERMAIN MURAL 800 |
| Log size (cm) | 50 (55 max) | 50 (60 max) |
| Warranty* | 5 years | |
| Dimensions LxHxD (cm) | 67 x 56 x 51 | 76 x 56 x 51 |
| Gross weight (kg) | 143 | 187 |
| Net weight (kg) | 119 | 162 |
| PRODUCT PERFORMANCE | | |
| Nominal Power (kW) | 7.9 | 8.8 |
| Power range (kW) | 5 to 14 | 7 to 14 |
| Efficiency (%) | 75 | 77 |
| Seasonal efficiency (%) | 65 | 67 |
| CO emission (13% O2) (%/mg/Nm³) w | 0.09 - 1125 | 0.08 - 1047 |
| Dual combustion | Yes | |
| Ecodesign | Yes | |
| Airtight | Yes | |
| INSTALLATION AND SIZING | | |
| Ø combustion gas outlet nozzle (mm) | 150 | |
| Flue gas connection | up | |
| Flue collar | Male | |
| Ø combustion gas inlet nozzle (mm) | 75 (back part) | |
| Mean flue gas temperature | 278 °C | 328 °C |
| Flue gas mass flow (g/s) | 10 | 6.91 |
| Nozzle depression for sizing | 12 Pa | |
| CO ₂ emission (%) | 8.14 | 11.3 |
| Back installation distance (cm) | - | |
| Lateral installation distance (cm) | 30 | 35 |



Inner reinforcement of cast iron plate (ONLY FOR LE MARAIS MURAL 700)



Smooth and thick steel finish



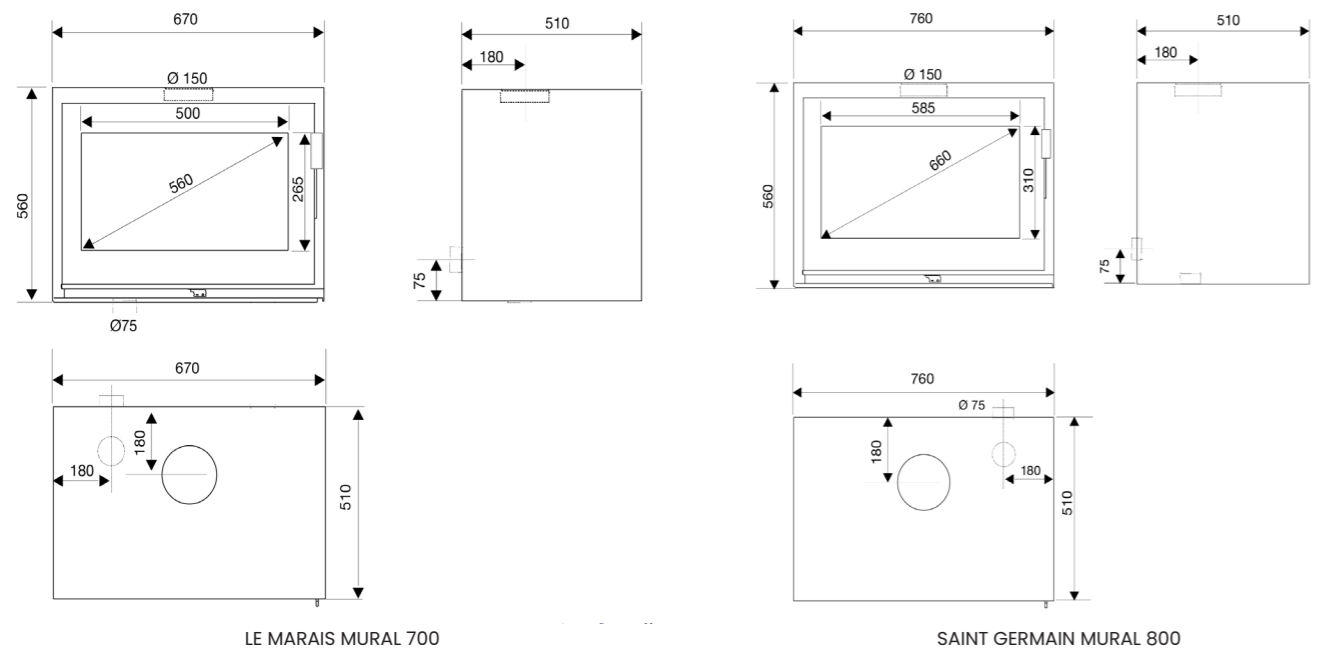
Vermiculite and steel reinforced interior. (ONLY FOR LE SAINT GERMAIN 800)

- AESTHETICS**
- Front opening door
 - Cubic design with sober, refined finishes
 - Thick-walled steel coating in black

- COMBUSTION**
- State-of-the-art heating body for more efficient and cleaner combustion (minimum CO and dust content) thanks to essential factors:
- its airtightness for perfect combustion air control (primary air, secondary air and window air fully channelled and controllable)
 - Its 2 vermiculite-coated steel and stainless steel baffles (removable without tools)

- USE**
- Individual air control for combustion control
 - Easy access ashtray
 - Possibility of directing convection air to the air distribution or to the room
 - "clean glass" system

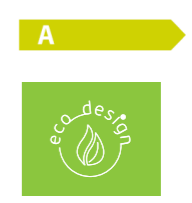
- INSTALLATION**
- The choice and placement of fixings depends on the nature of the wall and is the responsibility of the installer
 - The wall must support the weight of the appliance (with the connecting pipes and the wooden load)



LE MARAIS MURAL 700
FR9011030B
EAN: 3760075412029

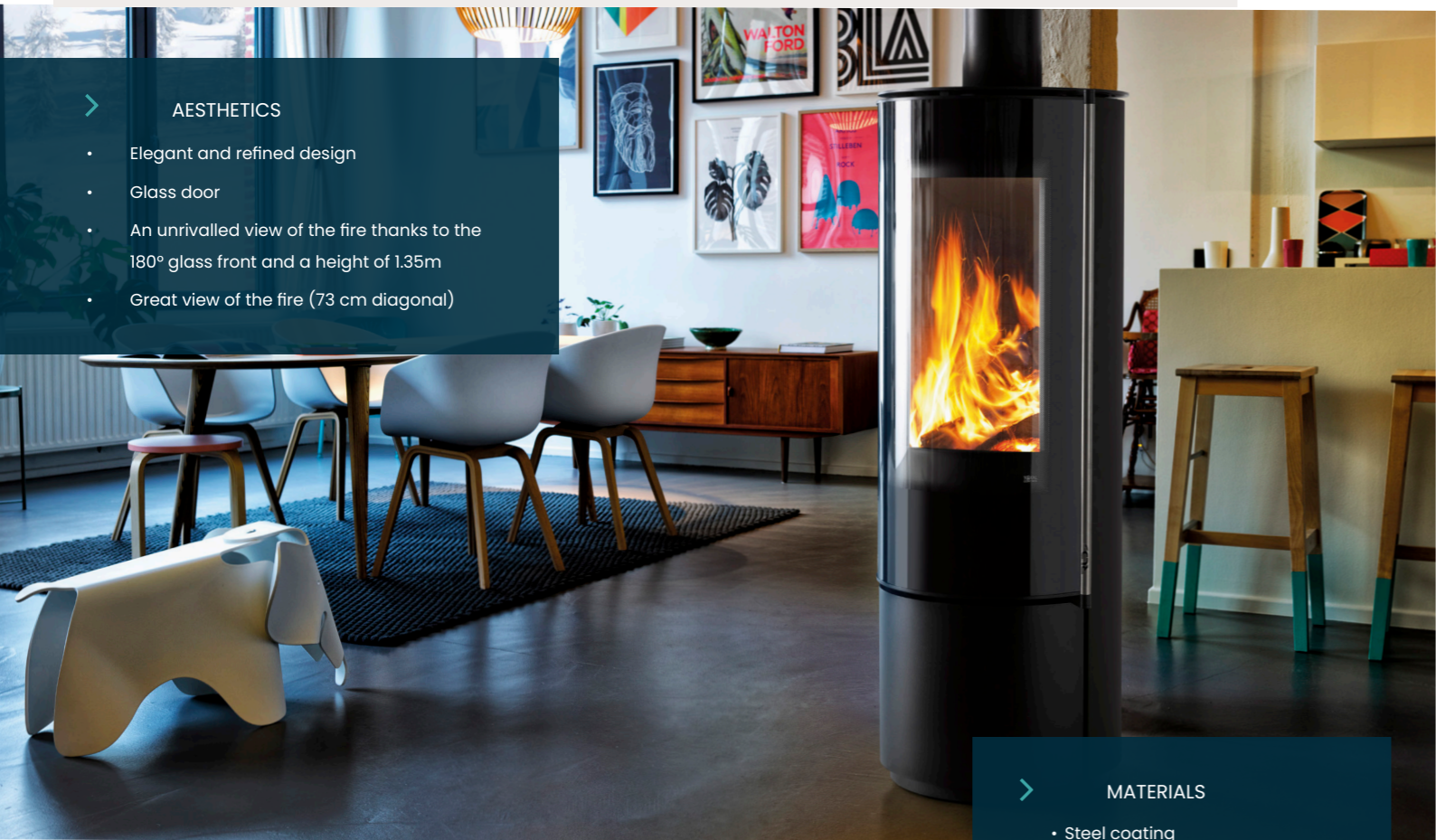


SAINT GERMAIN MURAL 800
FR9011060B
EAN: 3760075412050



*2 years for parts and 5 years for heating

Do you want to improve the interior of your home? The ISERE wood burner is made for you! Its slim, rounded silhouette and glass front will bring elegance and style. You will be pleased with its optimal energy efficiency. A warm atmosphere and the spectacle of the flames will fascinate you.

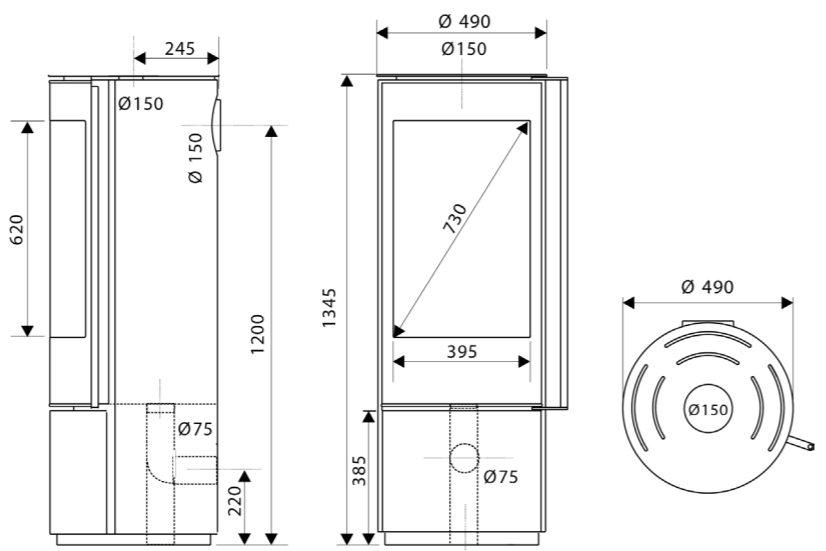


- AESTHETICS**
- Elegant and refined design
 - Glass door
 - An unrivalled view of the fire thanks to the 180° glass front and a height of 1.35m
 - Great view of the fire (73 cm diagonal)

- MATERIALS**
- Steel coating
 - High density vermiculite interior for increased resistance to extreme temperatures and improved combustion
 - Cast iron grating

- INSTALLATION**
- Compatible with RE2020
 - Back protection to reduce the rear side temperature
 - Small installation distance: can be positioned 10 cm from the wall

- USE**
- Ergonomic grip thanks to the large two-point handle that ensures the door is closed and airtight
 - Cold-touch handle
 - Easy access ashtray
 - Its height allows for easy loading of firewood
 - "Clean glass" system



SPECIFICATIONS

| PRODUCT INFORMATION | |
|-------------------------------------|----------------------|
| Model | ISERE |
| Log size (cm) | 33 cm (h) 50 cm (v) |
| Warranty* | 5 years |
| Dimensions LxHxD (cm) | 49 x 134.5 x 49 |
| Gross weight (kg) | 160 |
| Net weight (kg) | 135 |
| PRODUCT PERFORMANCE | |
| Nominal Power (kW) | 6 |
| Power range (kW) | 3 to 10 |
| Efficiency (%) | 80 |
| Seasonal efficiency (%) | 70 |
| CO2 emission (13 % O2) (%/mg/Nm³) | 0,07 / - |
| Dual combustion | Yes |
| Ecodesing | Yes |
| Airtight | Yes |
| INSTALLATION AND SIZING | |
| Ø combustion gas outlet nozzle (mm) | 150 |
| Flue gas connection | Back or above part |
| Flue collar | Male |
| Ø combustion gas inlet nozzle (mm) | 75 (bottom and back) |
| Mean flue gas temperature | 309 °C |
| Flue gas mass flow (g/s) | 4.5 |
| Nozzle depression for sizing | 12 Pa |
| CO ₂ emission (%) | 12.3 |
| Back installation distance (cm) | 10 |
| Lateral installation distance (cm) | 30 |

*2 years for parts and 5 years for heating elements



ISERE
FR9011080B
EAN: 3760075412074



Cold ergonomic handle, even during operation. (designed to be used without the need to bend down).



Appliance equipped with TOTAL CONTROL technology. (The two air controls allow full control via the grate and afterburner air controls concealed in the interior compartment).

- COMBUSTION**
- State-of-the-art heating element for cleaner and more economical combustion
 - With TOTAL CONTROL technology
 - Its high level of airtightness allows control of the combustion air (primary air, secondary air and window air fully channelled and controllable)
 - 2 removable baffles (no tools required)
 - A secondary air ramp for an efficient dual combustion.
 - Natural heat transfer to the front of the appliance for optimum comfort

INSERTS COLLECTION



| PRODUCT PERFORMANCE | | | | | |
|--|----------------------|----------------------|----------------------|----------------------|----------------------|
| NOMINAL POWER | 6 kW | 8 kW | 10.6 kW | 10 kW | 10 kW |
| POWER RANGE | FROM 3 TO 10 kW | FROM 5 TO 14 kW | FROM 7 TO 14 kW | FROM 7 TO 14 kW | FROM 7 TO 14 kW |
| NOMINAL OUTPUT | 75% | 85% | 76.7 % | 78% | 77% |
| SEASONAL EFFICIENCY | 65% | 75% | 66.7 % | 68% | 67% |
| CO (13% O ₂) (MG/NM ³) | 0.09 /- | 0.09 - 1170 | 0,09 / - | 0,09 / - | 0.08 - 1040 |
| DUST (mg/NM ³) | 50 | 50 | 36.5 | 40 | 30 |
| NOX (mg/NM ³) | 103.5 | 110 | 53.9 | 53.9 | 125 |
| COV (OGC) (MG/NM ³) | 48.45 | 120 | 55.4 | 52 | 70 |
| Mean flue gas temperature | 220 °C | 174 °C | 326 °C | 326 °C | 256 °C |
| FLUE GAS MASS FLOW | 4.7 g/s | 6.8 g/s | 8.75 g/s | 8 g/s | 8.9 g/s |
| NOZZLE DEPRESSION (NOMINAL) | 12 Pa | 12 Pa | 12 Pa | 12 Pa | 12 Pa |
| CO ₂ EMISSIONS | 11.6 % | 9.1 % | 10.43 % | 11% | 8.9 % |
| DUAL COMBUSTION | YES | YES | YES | YES | YES |
| AIRTIGHT | YES | YES | YES | YES | YES |
| ECODESIGN 2022 | YES | YES | YES | YES | YES |
| PRODUCT INFORMATION | | | | | |
| EAN CODE | 3760075412081 | 3760075412098 | 3760075412104 | 3760075412111 | 3760075412142 |
| PRODUCT CODE | FR9011090B | FR9011100B | FR9011110B | FR9011120B | FR9011150B |
| MAIN MATERIAL | STEEL | STEEL | STEEL | STEEL | STEEL |
| VIEW OF THE FIRE (DIAGONAL) | 45 CM (18 INCH) | 56 CM (22 INCH) | 70 CM (27 INCH) | 65 CM (22 INCH) | 83 CM (32 INCH) |
| MAXIMUM LOG SIZE | 33 cm (43 cm max.) | 50 cm (55 cm max.) | 50 cm (60 cm max.) | 50 cm (60 cm max.) | 50 cm (80 cm max.) |
| GROSS WEIGHT | 99 kg | 122 kg | 147 kg | 136 kg | 190 kg |
| NET WEIGHT | 88 kg | 99 kg | 121.5 kg | 110.5 kg | 160 kg |
| DIMENSIONS LxHxD | 59 x 55.5 x 40.5 cm | 71 x 59.5 x 48 cm | 80 x 70 x 48 cm | 89 x 59.5 x 48 cm | 104 x 59.5 x 48 cm |
| PACKAGING DIMENSIONS LxHxD | 80 X 60 X 75.2 CM | 80 X 60 X 87.2 CM | 90 X 80 X 87.2 CM | 90 X 80 X 75.2 CM | 120 X 80 X 87.2 CM |
| INSTALLATION AND SIZING | | | | | |
| DIAMETER OF FLUE GAS NOZZLES | 150 mm | 150 mm | 150 mm | 150 mm | 180 mm |
| CONNECTION OF THE FLUE GAS | BACK OR UP | BACK OR UP | BACK OR UP | BACK OR UP | BACK OR UP |
| FLUE COLLAR | MALE | MALE | MALE | MALE | MALE |
| DIAMETER CONNECTED TO THE OUTSIDE AIR | 75 mm (BACK OR DOWN) | 75 mm (BACK OR DOWN) | 75 mm (BACK OR DOWN) | 75 mm (BACK OR DOWN) | 75 mm (BACK OR DOWN) |
| INSTALLATION DISTANCE BACK/SIDES/FRONT | 40/40/110 cm | 50/50/130 cm | 50/50/130 cm | 50/50/130 cm | 50/50/130 cm |
| FAMILY STANDARD E | EN - 13229 | EN - 13229 | EN - 13229 | EN - 13229 | EN - 13229 |

*DISTANCE BETWEEN THE HEATER AND COMBUSTIBLE MATERIALS



| | |
|------------------------------|------------------------------|
| 9.5 kW | 6 kW |
| FROM 7 TO 14 kW | FROM 3 TO 10 kW |
| 75% | 78% |
| 65% | 68% |
| 0.104 - 1300 | 0.103 - 1282 |
| 20 | 29 |
| 102 | 117 |
| 92 | 89 |
| 405 °C | 242 °C |
| 9 g/s | 7.5 g/s |
| 12 Pa | 12 Pa |
| 9.61 % | 7.16 % |
| YES | YES |
| NO | NO |
| YES | YES |
| 3760075412166 | 3760075412197 |
| FR9011170B | FR9011200B |
| STEEL | STEEL |
| 71.0 CM (27 INCH) | 58 CM (26 INCH) |
| 50 cm (60 cm max.) | 50 cm (60 cm max.) |
| 142 kg | 97 kg |
| 110 kg | 78 kg |
| 76 x 61.5 x 48 cm | 65 x 53 x 41.5 cm |
| 80 X 90 X 87.2 CM | 80 X 60 X 75.2 CM |
| 200 mm | - |
| BACK OR UP | - |
| MALE | - |
| NOT CONNECTED TO OUTSIDE AIR | NOT CONNECTED TO OUTSIDE AIR |
| - / 25/130 cm | - / - /110 cm |
| EN - 13229 | EN - 13229 |

OPTIONAL

HONORÉ 600 P.10-11

| | | | |
|------------|--------------|--------------------|--|
| FR9008530B | 311983101332 | TURBINE | Turbine 180 m ³ /h |
| FR9005680B | 311983100311 | 2 NOZZLES Ø 150 MM | For additional hot air hoses |
| FR9007270B | 311983100395 | PS 55 | Plinth width 55 - height 4300 mm - adjustable feet |
| FR9005800B | 311983100460 | PROTECTION KIT | For wooden beam inserts and hearth inserts |

HONORÉ 700 P.10-11

| | | | |
|------------|--------------|--------------------|--|
| FR9005880B | 311983101492 | TURBINE | Turbine 180 m ³ /h |
| FR9007280B | 311983100396 | PS 67 | width 67 /height 256 to 320 mm - adjustable feet |
| FR9005670B | 311983100307 | 2 NOZZLES Ø 150 MM | For additional hot air hoses |
| FR9005680B | 311983100311 | 4 NOZZLES Ø 125 MM | For additional hot air hoses |
| FR9005800B | 311983100460 | PROTECTION KIT | For wooden beam inserts and hearth inserts |

HONORÉ 800 et HONORÉ 800 HORIZON P.12-13

| | | | |
|------------|--------------|--------------------|---|
| FR9005880B | 311983101492 | TURBINE | Turbina 180 m ³ /h |
| FR9007300B | 311983100397 | PS 76 | width 76 /height 4292 to 332 mm - adjustable feet |
| FR9005670B | 311983100307 | 2 NOZZLES Ø 150 MM | For additional hot air hoses |
| FR9005680B | 311983100311 | 4 NOZZLES Ø 125 MM | For additional hot air hoses |
| FR9005800B | 311983100460 | PROTECTION KIT | For wooden beam inserts and hearth inserts |

HONORÉ 1000 P.14-15

| | | | |
|------------|--------------|--------------------|---|
| FR9005830B | 311983101409 | TURBINE 1000 KIT | Turbine 240 m ³ /h |
| FR9002400B | 311983101408 | COATING 1000 | Protective coating for Honoré 1000 |
| FR9007260B | 311983101407 | PS 1000 | Plinth width 55 - height 4300 mm - adjustable feet |
| FR9005670B | 311983100307 | 2 NOZZLES Ø 150 MM | For additional hot air hoses to be fitted with 1000 coating |
| FR9005680B | 311983100311 | 4 NOZZLES Ø 125 MM | For additional hot air hoses |
| FR9005800B | 311983100460 | PROTECTION KIT | For wooden beam inserts and hearth inserts |

CLOVIS 800 P.16-17

| | | | |
|------------|--------------|--------------------|---|
| FR9005870B | 311983100417 | KT 76 | Turbine 180 m ³ /h : compatible with CLOVIS 800 |
| FR9007300B | 311983100397 | PS 76 | Plinth width 76 - adjustable feet |
| FR9005670B | 311983100307 | 2 NOZZLES Ø 150 MM | For additional hot air hoses to be fitted with 1000 coating |
| FR9005680B | 311983100311 | 4 NOZZLES Ø 125 | For additional hot air hoses |
| FR9005800B | 311983100460 | PROTECTION KIT | For wooden beam inserts and hearth inserts |

VALAIS 650 T P.18-19

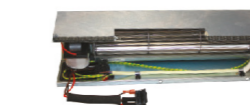
| | | | |
|------------|--------------|----------------|--|
| FR9005800B | 311983100460 | PROTECTION KIT | For wooden beam inserts and hearth inserts |
|------------|--------------|----------------|--|



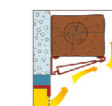
KT 76



PLINTH (PS55/67/76/1000)



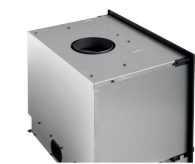
TURBINE



BEAM PROTECTION KIT



2 NOZZLES Ø 150 MM / 4 NOZZLES Ø 125 MM



COATING

WOOD BURNERS COLLECTION



BELLEVILLE 700 C P.22-23



BELLEVILLE 700 CL P.22-23



MONTMARTRE 800 C P.24-25



MONTMARTRE 800 P P.24-25



MONTMARTRE 1000 C P.24-25



LE MARAIS MURAL 700 P.26-27



SAINT GERMAIN MURAL 800 P.26-27



ISÈRE P.28-29

| PRODUCT PERFORMANCE | | | | | |
|--|----------------------|----------------------|----------------------|----------------------|----------------------|
| NOMINAL POWER | 7.9 kW | 7.9 kW | 8.8 kW | 8.8 kW | 11 kW |
| POWER RANGE | FROM 5 TO 14 kW | FROM 5 TO 14 kW | FROM 7 TO 14 kW | FROM 7 TO 14 kW | FROM 8 TO 16 kW |
| NOMINAL OUTPUT | 75% | 75% | 77% | 77.1 % | 78.2 % |
| SEASONAL EFFICIENCY | 65% | 65% | 67% | 67% | 68% |
| CO (13% O ₂) (MG/NM ³) | 0.09 - 1125 | 0.09 - 1125 | 0.08 - 1047 | 0.08 - 1047 | 0.08 - 977 |
| DUST (MG/NM ³) | 9 | 9 | 35.2 | 35.2 | 30.1 |
| NOX (MG/NM ³) | 93 | 93 | 96.4 | 96.4 | 101.9 |
| COV (OGC) (MG/NM ³) | 86 | 86 | 72.8 | 72.8 | 59.6 |
| Mean flue gas temperature | 278 °C | 278 °C | 327.9 °C | 327.9 °C | 326 °C |
| FLUE GAS MASS FLOW | 10 g/s | 10 g/s | 6.9 g/s | 6.9 g/s | 8.35 g/s |
| NOZZLE DEPRESSION (NOMINAL) | 12 Pa | 12 Pa | 12 Pa | 12 Pa | 12 Pa |
| CO ₂ EMISSIONS | 8.14 % | 8.14 % | 11.31 % | 11.31 % | 11.77 % |
| DUAL COMBUSTION | YES | YES | YES | YES | YES |
| GREEN FLAME | 7 STARS | 7 STARS | 7 STARS | 7 STARS | 7 STARS |
| AIRTIGHT | YES | YES | YES | YES | YES |
| ECODESIGN 2022 | YES | YES | YES | YES | YES |
| PRODUCT INFORMATION | | | | | |
| EAN CODE | 376007541200 | 376007541201 | 376007541203 | 376007541204 | 376007541206 |
| PRODUCT CODE | FR9011010B | FR9011020B | FR9011040B | FR9011050B | FR9011070B |
| MAIN MATERIAL | STEEL | STEEL | STEEL | STEEL | STEEL |
| MAXIMUM LOG SIZE | 50 cm (55 cm max.) | 50 cm (55 cm max.) | 50 cm (60 cm max.) | 50 cm (60 cm max.) | 50 cm (80 cm max.) |
| GROSS WEIGHT | 191 kg | 197 kg | 232 kg | 231 kg | 282 kg |
| NET WEIGHT | 164 kg | 166 kg | 205 kg | 204 kg | 251 kg |
| DIMENSIONS LxHxD | 67 X 92 X 51 CM | 100 X 92 X 51 CM | 76 X 92 X 51 cm | 76 X 93.3 X 51 cm | 100 X 92 X 51 cm |
| PACKAGING DIMENSIONS LxHxD | 80 X 60 X 119.2 CM | 120 X 60 X 119.2 CM | 90 X 60 X 119.2 CM | 90 X 60 X 119.2 CM | 120 X 80 X 119.2 CM |
| INSTALLATION AND SIZING | | | | | |
| DIAMETER OF FLUE GAS NOZZLES | 150 mm | 150 mm | 150 mm | 150 mm | 180 mm |
| CONNECTION OF THE FLUE GAS | UP | UP | UP | UP | UP |
| FLUE COLLAR | MALE | MALE | MALE | MALE | MALE |
| DIAMETER CONNECTED TO THE OUTSIDE AIR | 75 mm (BACK OR DOWN) | 75 mm (BACK OR DOWN) | 75 mm (BACK OR DOWN) | 75 mm (BACK OR DOWN) | 75 mm (BACK OR DOWN) |
| INSTALLATION DISTANCE BACK/SIDES/FRONT | 30/30/100 cm | 30/30/100 cm | 25/35/200 cm | 25/35/200 cm | 25/20/80 cm |
| | EN - 13240 | EN - 13240 | EN - 13240 | EN - 13240 | EN - 13240 |

| | | |
|----------------------|----------------------|----------------------|
| 7.9 kW | 8.8 kW | 6 kW |
| FROM 7 TO 14 kW | FROM 7 TO 14 kW | FROM 3 TO 10 kW |
| 75% | 77% | 80% |
| 65% | 67% | 70% |
| 0.09 - 1125 | 0.08 - 1047 | 0,07 / - |
| 9 | 35.2 | 25 |
| 93 | 96.4 | 70 |
| 86 | 72.8 | 47 |
| 278 °C | 327.9 °C | 309 °C |
| 10 g/s | 6.9 g/s | 4.5 g/s |
| 12 Pa | 12 Pa | 12 Pa |
| 8.14 % | 11.31 % | 12.3 % |
| YES | YES | YES |
| 7 STARS | 7 STARS | 7 STARS |
| YES | YES | YES |
| YES | YES | YES |
| 376007541202 | 376007541205 | 376007541207 |
| FR9011030B | FR9011060B | FR9011080B |
| STEEL | STEEL | STEEL |
| 50 cm (55 cm max.) | 50 cm (60 cm max.) | 33 CM (H) 50 CM (V) |
| 143 kg | 187 kg | 160 kg |
| 119 kg | 162 kg | 135 kg |
| 67 X 56 X 51 cm | 76 X 56 X 51 cm | 49 X 134.5 X 49 cm |
| 80 X 60 X 87.2 CM | 90 X 80 X 75.2 CM | 80 X 60 X 173.7 CM |
| 150 mm | 150 mm | 150 mm |
| UP | UP | BACK AND ABOVE |
| MALE | - | MALE |
| 75 mm (BACK OR DOWN) | 75 mm (BACK OR DOWN) | 95 mm (BACK OR DOWN) |
| 30/30/100 cm | 25/35/200 cm | 10/30/200 cm |
| EN - 13240 | EN - 13240 | EN - 13240 |

*DISTANCE BETWEEN THE HEATER AND COMBUSTIBLE MATERIALS

NOTES

A series of horizontal dotted lines for writing notes, spanning the width of the page.



SUPRA FRANCE - TAURUS GROUP
28 rue du Général Leclerc - 67210 Obernai, France



@richardledroff67



@richardledroff



<https://www.richardledroff.com/>